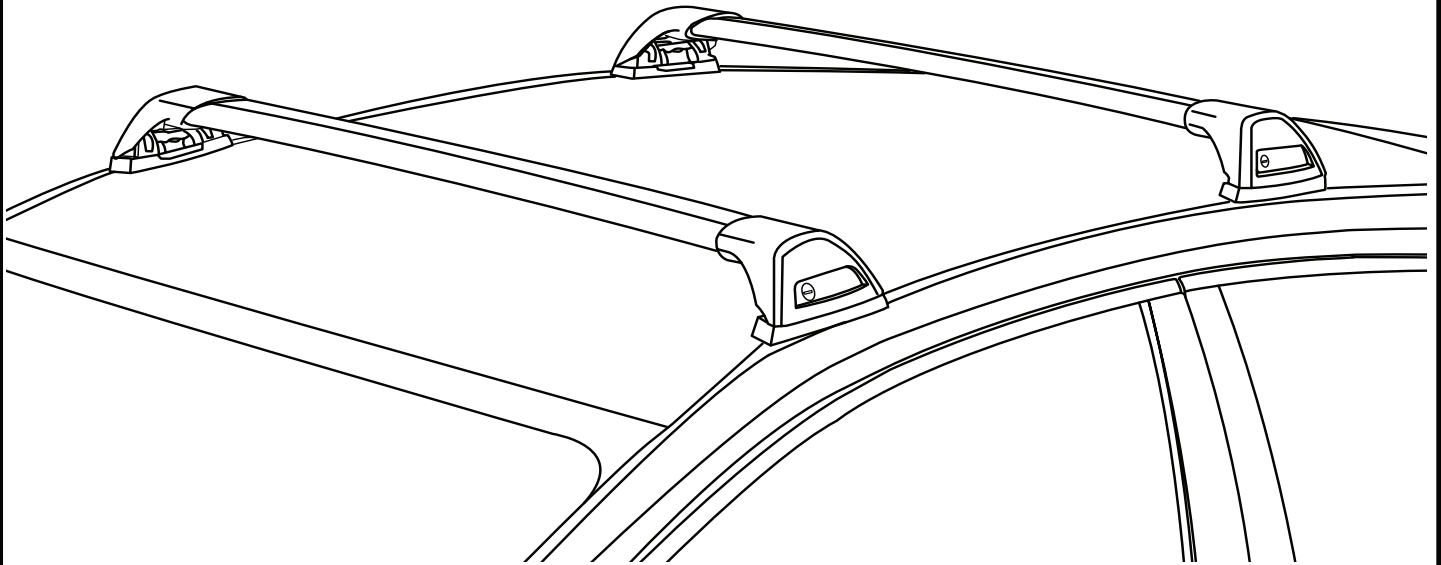


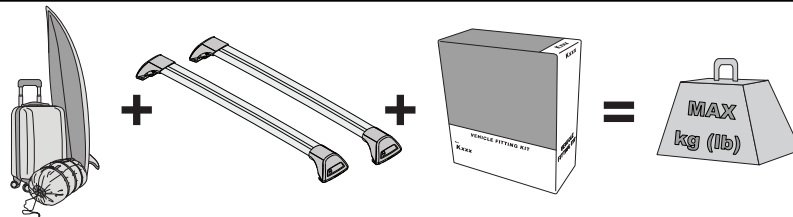
K331



Instructions



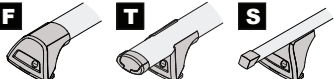
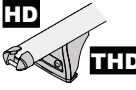


MAX kg (lb)

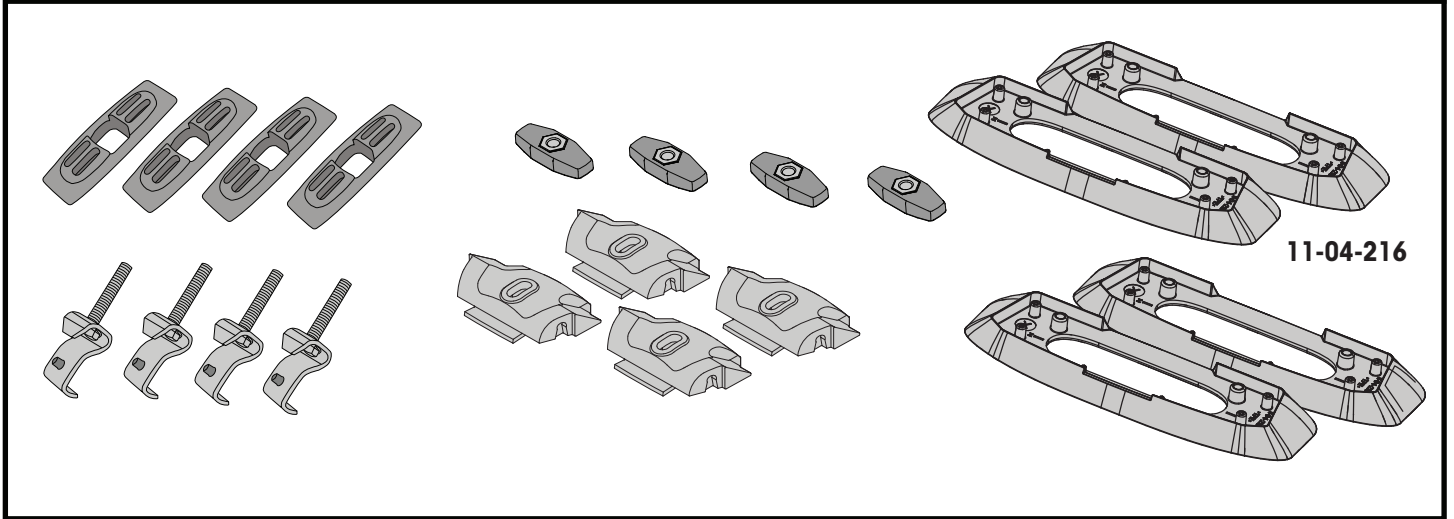


- EN** ALWAYS REFER TO OUR WEBSITE FOR THE LATEST VERSION OF INSTRUCTIONS.
- DE** BESUCHEN SIE IMMER UNSERE WEBSITES, UM DIE NEUESTE VERSION DER ANWEISUNGEN ZU ERHALTEN.
- ES** CONSULTE NUESTRAS PÁGINAS WEB PARA VER LA ÚLTIMA VERSIÓN DE LAS INSTRUCCIONES.
- FR** RÉFÉREZ VOUS TOUJOURS À NOS SITES INTERNET POUR CONSULTER LA DERNIÈRE VERSION DES INSTRUCTIONS.
- NO** DEN NYESTE VERSJONEN AV INSTRUKSJONENE ER ALLTID TILGJENGELIG PÅ VÅRE NETTSIDER.
- PT** CONSULTE SEMPRE OS NOSSOS WEBSITES PARA OBTER A MAIS RECENTE VERSÃO DAS INSTRUÇÕES.
- RU** АКТУАЛЬНАЯ ВЕРСИЯ ИНСТРУКЦИИ ДОСТУПНА НА НАШЕМ САЙТЕ.
- IT** FARE SEMPRE RIFERIMENTO AI NOSTRI SITI WEB PER L'ULTIMA VERSIONE DELLE ISTRUZIONI.
- PL** ZAWSZE SPRAWDZAJ NASZĄ STRONĘ INTERNETOWĄ, ABY UZYSKAĆ NAJNOWSZĄ WERSJĘ INSTRUKCJI.
- CS** NEJNOVĚJŠÍ VERZI POKYNŮ VŽDY NAJDETE NA NAŠÍ WEBOVÉ STRÁNCE.
- SK** POSLEDNÚ VERZIU POKYNOV VŽDY NÁJDETE NA NAŠICH WEBOVÝCH STRÁNKACH.
- NL** RAADPLEEG ALTIJD ONZE WEBSITES VOOR DE MEEST RECENTE VERSIE VAN DE INSTRUCTIES.
- SV** SE ALLTID VÅRA WEBBPLATSER FÖR DEN SENASTE VERSIONEN AV INSTRUKTIONERNA.
- DK** DEN NYESTE VERSION AF VEJLEDNINGERNE ER ALTID TILGÆNGELIG PÅ VORES HJEMMESIDER.
- UA** ОСТАННЯ ВЕРСІЯ ІНСТРУКЦІЇ ЗАВЖДИ ДОСТУПНА НА НАШОМУ САЙТІ.
- FI** KATSO AINA VERKKOSIVUSTOILTAMME UUSIN VERSIO OHJEISTA.

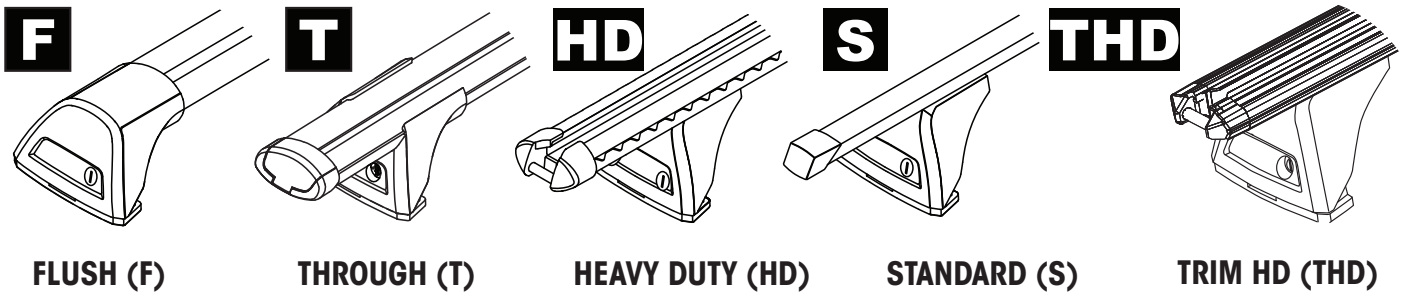
		F T S	HD THD
Lexus LX, 5dr SUV Apr 98-Jul 07	AU	75 kg (165 lb)	75 kg (165 lb)
Lexus LX, 5dr SUV May 98-Oct 07	NZ	75 kg (165 lb)	75 kg (165 lb)
Suzuki SX4, 5dr Hatch 06-10	EU	40 kg (88 lb)	40 kg (88 lb)
Suzuki SX4, 5dr Hatch Mar 07-13	AU, NZ	40 kg (88 lb)	40 kg (88 lb)
Toyota Highlander, 5dr SUV 21+	EU	75 kg (165 lb)	75 kg (165 lb)
Toyota Highlander GXL, 5dr SUV Jun 21+	NZ	75 kg (165 lb)	75 kg (165 lb)
Toyota Kluger GX, 5dr SUV Jun 21+	AU	75 kg (165 lb)	75 kg (165 lb)

			
Toyota Land Cruiser 100 Series, 5dr SUV 98-07	EU	75 kg (165 lb)	100 kg (220 lb)
Toyota Land Cruiser 100 Series, 5dr SUV Apr 98-Jun 07	AU	75 kg (165 lb)	100 kg (220 lb)
Toyota Land Cruiser 100 Series, 5dr SUV Apr 98-Oct 07	NZ	75 kg (165 lb)	100 kg (220 lb)
Toyota Land Cruiser 120 Series, 5dr SUV 03-09	EU	75 kg (165 lb)	100 kg (220 lb)
Toyota Land Cruiser 200 Series, 5dr SUV 07-15	CN	75 kg (165 lb)	100 kg (220 lb)
Toyota Land Cruiser 200 Series, 5dr SUV Aug 07-Sep 15	AU	75 kg (165 lb)	100 kg (220 lb)
Toyota Land Cruiser 200 Series, 5dr SUV Nov 07-Sep 15	NZ	75 kg (165 lb)	100 kg (220 lb)
Toyota Land Cruiser 200 Series V8, 5dr SUV 07-12	EU	75 kg (165 lb)	100 kg (220 lb)
Toyota Land Cruiser 200 Series, 5dr SUV Oct 15-Nov 21	AU, NZ	75 kg (165 lb)	100 kg (220 lb)
Toyota Land Cruiser 200 Series, 5dr SUV 15-16	CN	75 kg (165 lb)	100 kg (220 lb)
Toyota Land Cruiser 300 Series, 5dr SUV Dec 21+	AU, NZ	75 kg (165 lb)	100 kg (220 lb)
Toyota Land Cruiser Prado 120 Series, 5dr SUV Mar 03-Oct 09	AU	75 kg (165 lb)	100 kg (220 lb)
Toyota Land Cruiser Prado 120 Series, 5dr SUV Mar 03-Nov 09	NZ	75 kg (165 lb)	100 kg (220 lb)
Toyota Land Cruiser Prado 150 Series, 5dr SUV Nov 09+	AU	75 kg (165 lb)	100 kg (220 lb)
Toyota Land Cruiser Prado 150 Series, 5dr SUV Dec 09+	NZ	75 kg (165 lb)	100 kg (220 lb)
Toyota Rav 4, 3dr SUV 94-00	EU	75 kg (165 lb)	75 kg (165 lb)
Toyota Rav 4, 3dr SUV Jun 94-May 00	AU, NZ	75 kg (165 lb)	75 kg (165 lb)
Toyota Rav 4, 3dr SUV 00-06	EU	75 kg (165 lb)	80 kg (176 lb)
Toyota Rav 4, 3dr SUV Jun 00-Jan 06	NZ	75 kg (165 lb)	80 kg (176 lb)
Toyota Rav 4 20 Series, 3dr SUV Jun 00-Jan 06	AU	75 kg (165 lb)	80 kg (176 lb)
Toyota Rav 4, 5dr SUV 94-00	EU	75 kg (165 lb)	75 kg (165 lb)
Toyota Rav 4, 5dr SUV Dec 94-May 00	NZ	75 kg (165 lb)	75 kg (165 lb)
Toyota Rav 4, 5dr SUV Dec 95-May 00	AU	75 kg (165 lb)	75 kg (165 lb)
Toyota Rav 4, 5dr SUV 00-04	EU	75 kg (165 lb)	80 kg (176 lb)
Toyota Rav 4, 5dr SUV Jun 00-Jan 06	NZ	75 kg (165 lb)	80 kg (176 lb)
Toyota Rav 4 20 Series, 5dr SUV Jun 00-Jan 06	AU	75 kg (165 lb)	80 kg (176 lb)

CONTENTS • INHALT • CONTENIDO • CONTENU • INNHOLD • CONTEÚDO • СОДЕРЖАНИЕ • CONTENUTO
 ZAWARTOŚĆ • OBSAH • OBSAH • INHOUD • INNEHÅLL • INDHOLD • ЗМІСТ • SISÄLLYS



COMPATIBLE WITH • KOMPATIBEL MIT • COMPATIBLE CON • COMPATIBLE AVEC • KOMPATIBEL MED
 • COMPATÍVEL COM • СОВМЕСТИМ С • COMPATIBLE CON • KOMPATIBILNY Z • KOMPATIBILNÍ S
 • KOMPATIBILNÉ S • COMPATIBLE MET • KOMPATIBEL MED • KOMPATIBEL MED • СУМІСНИЙ З •
 YHTEENSOPIVA



FLUSH (F)

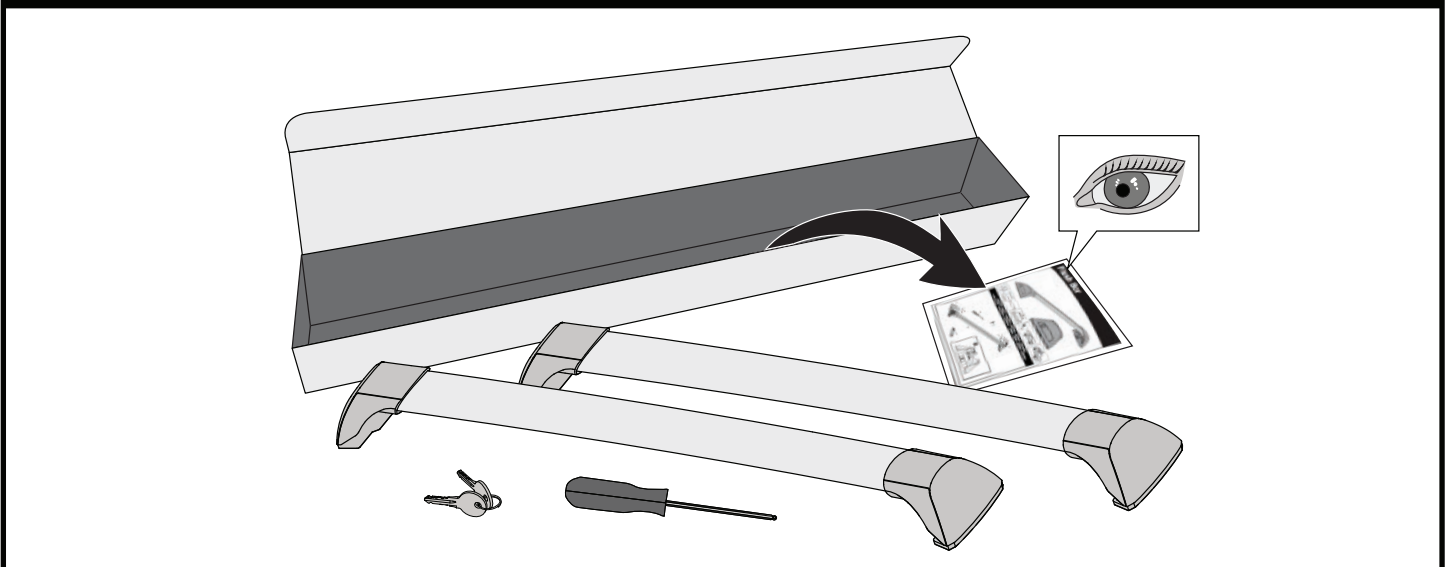
THROUGH (T)

HEAVY DUTY (HD)

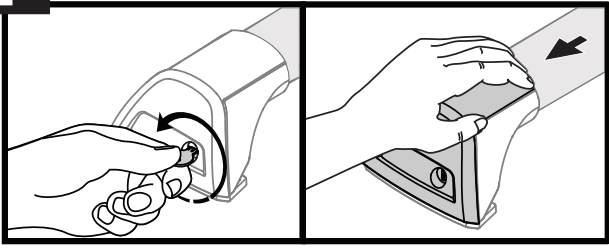
STANDARD (S)

TRIM HD (THD)

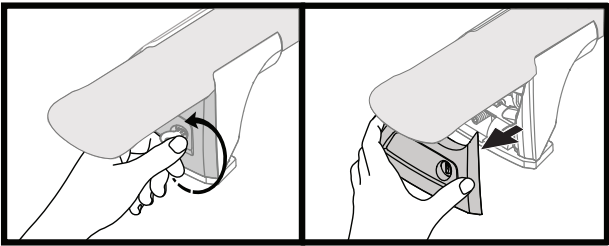
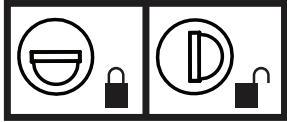
ATTENTION • ACHTUNG • ATENCIÓN • ATTENTION • OPPMERKSOMHET • ATENÇÃO • ВНИМАНИЕ • ATTENZIONE
 UWAGA • UPOZORNĚNÍ • UPOZORNENIE • LET OP • UPPMÄRKSAMHET • ОРМÆRKSOMHED • УВАГА • HUOMIO



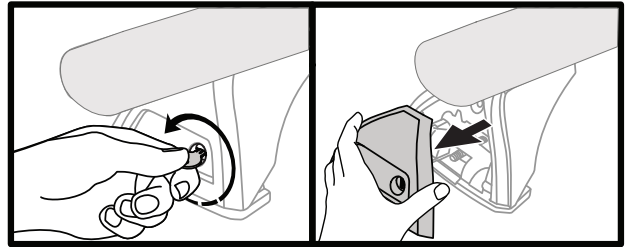
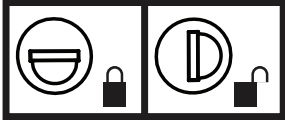
1



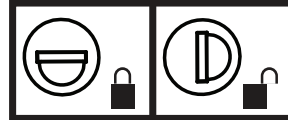
F



T



HD



S

THD

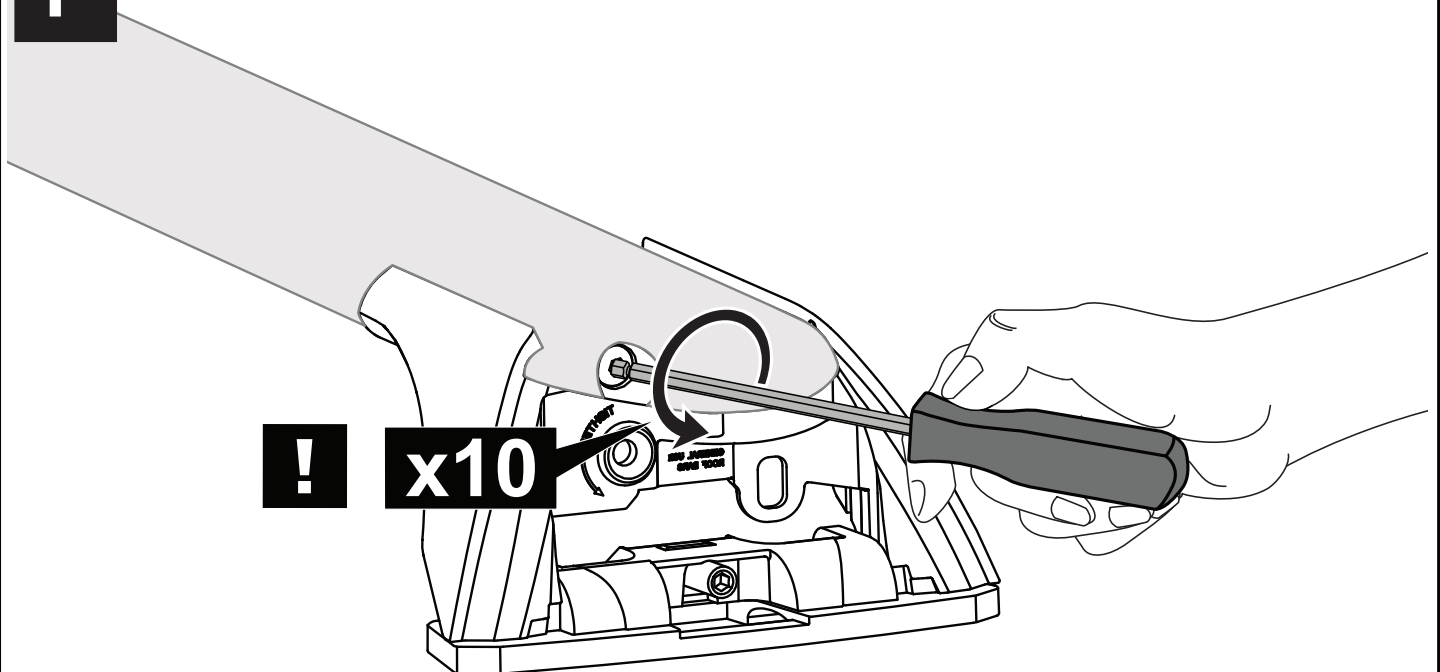
x4

2

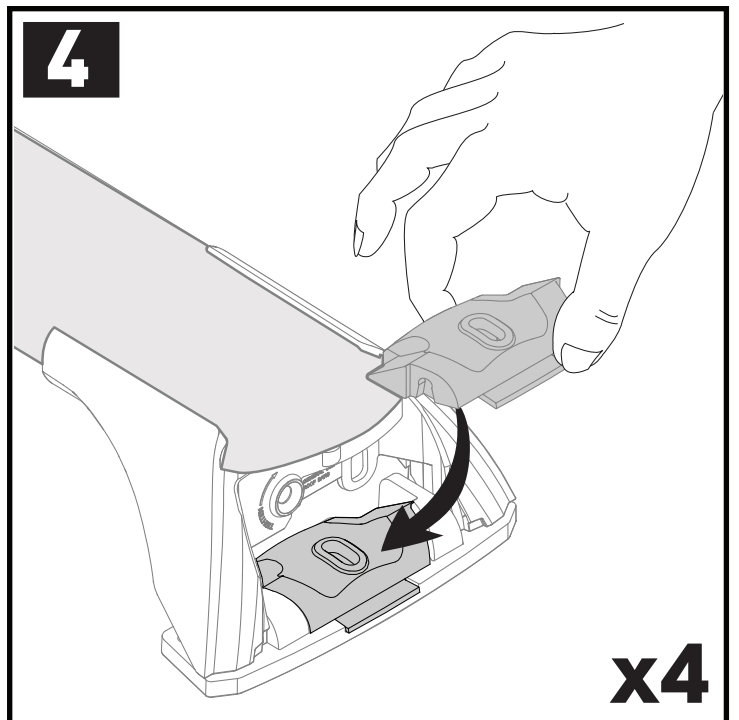
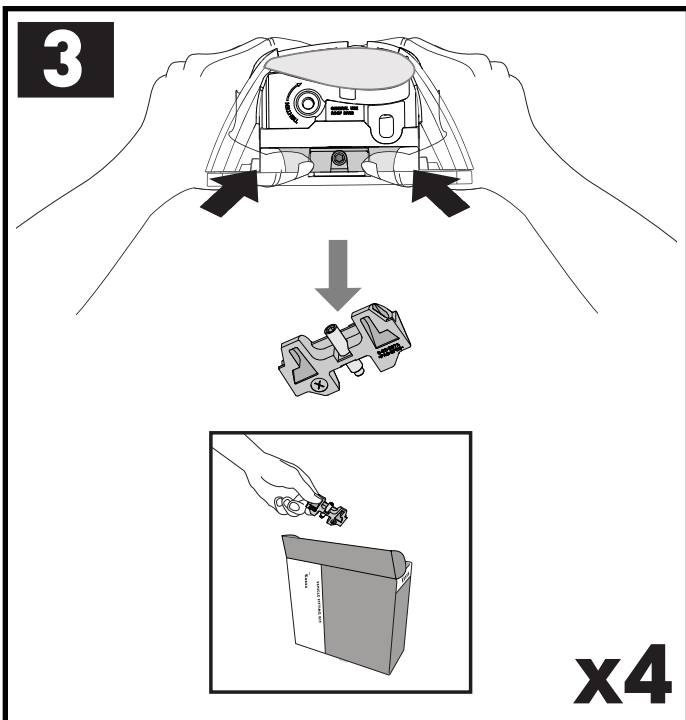
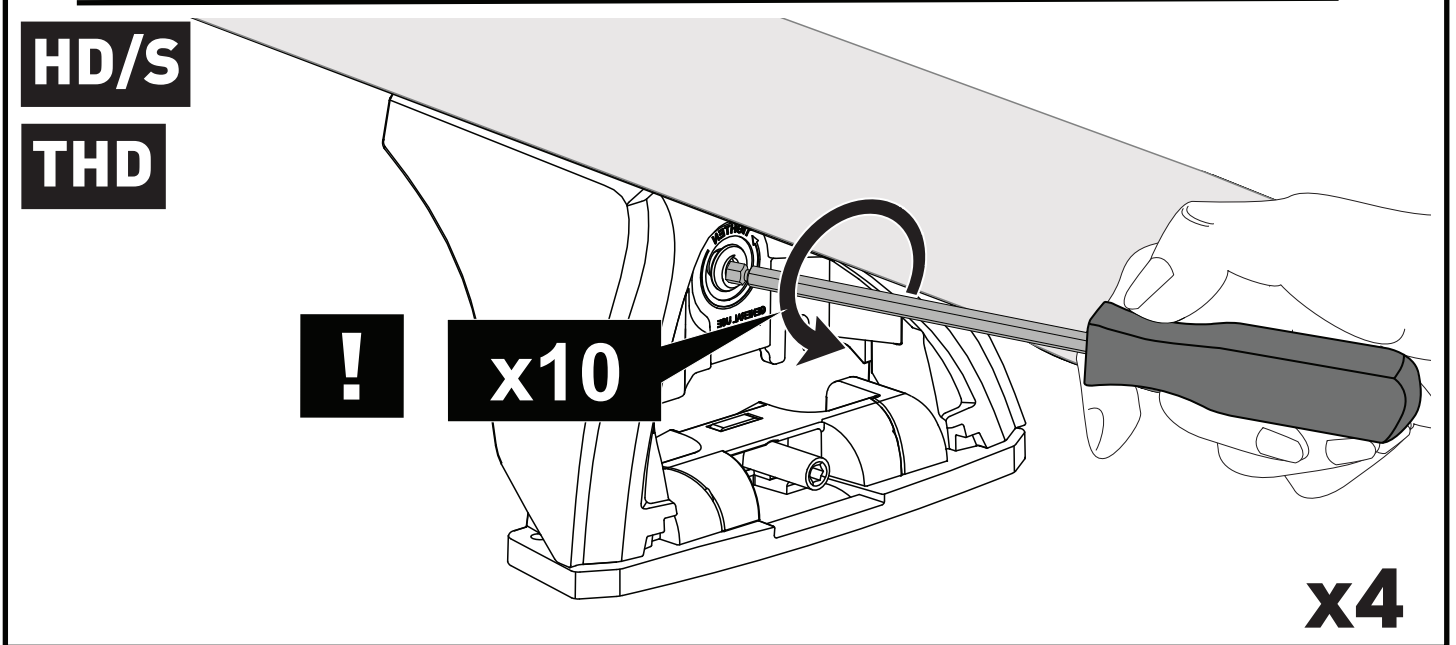
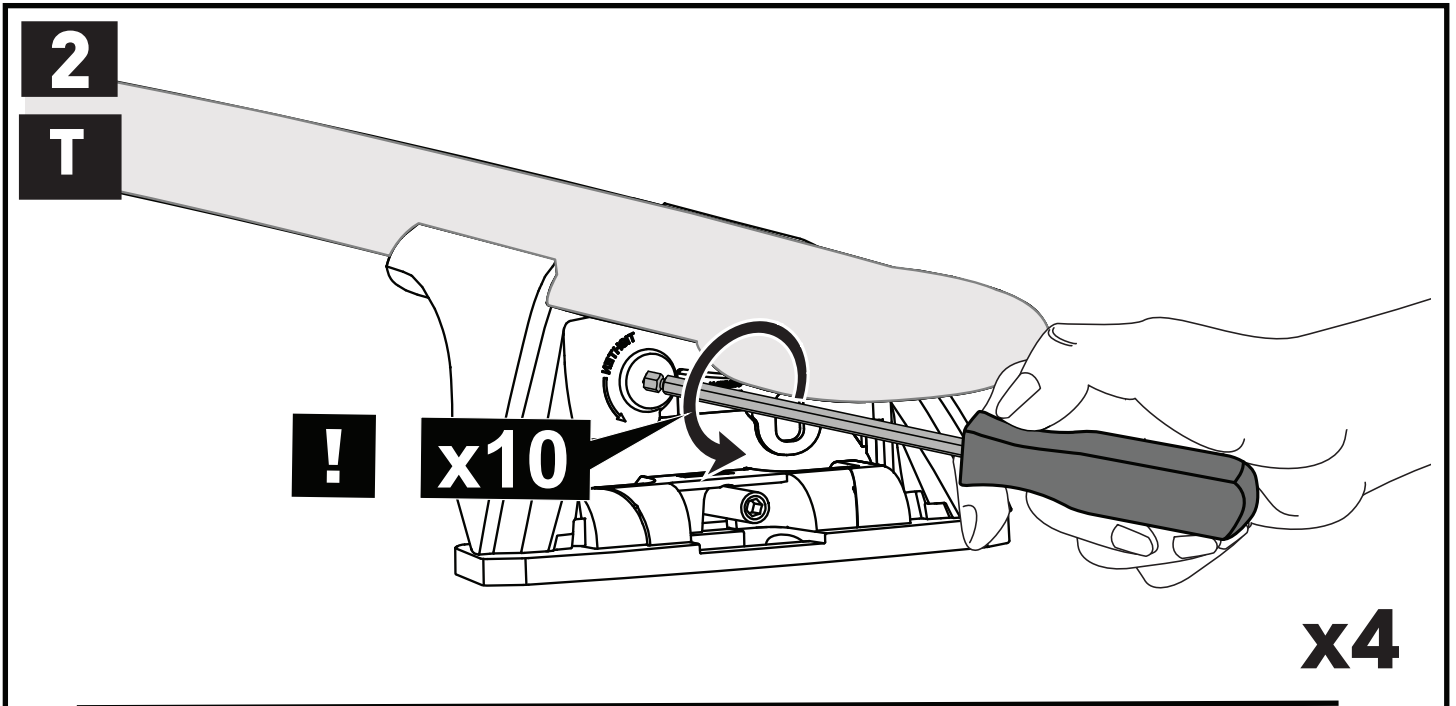
F

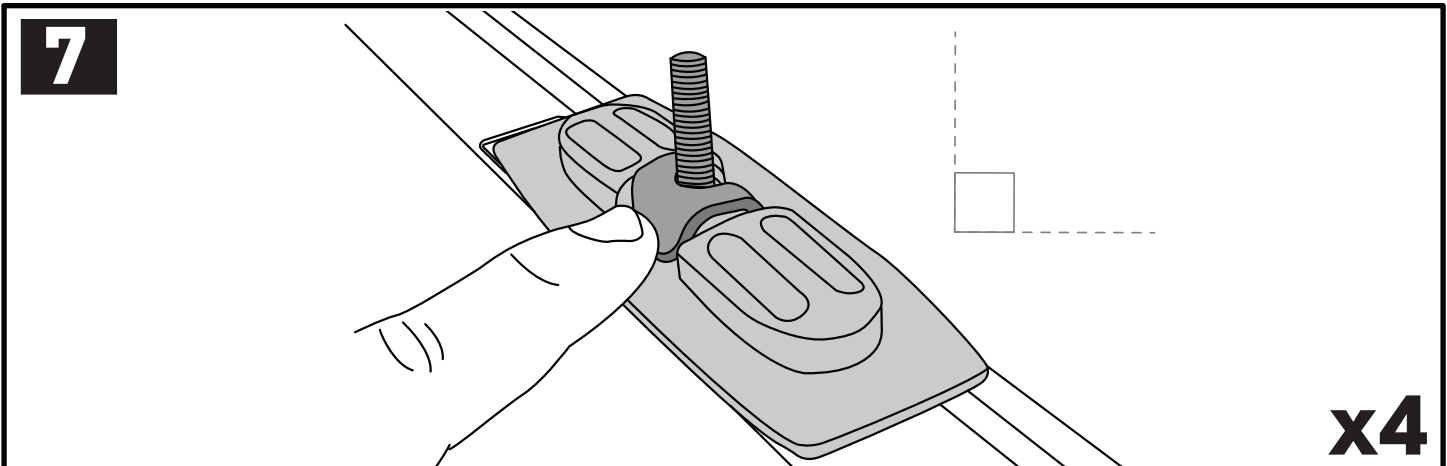
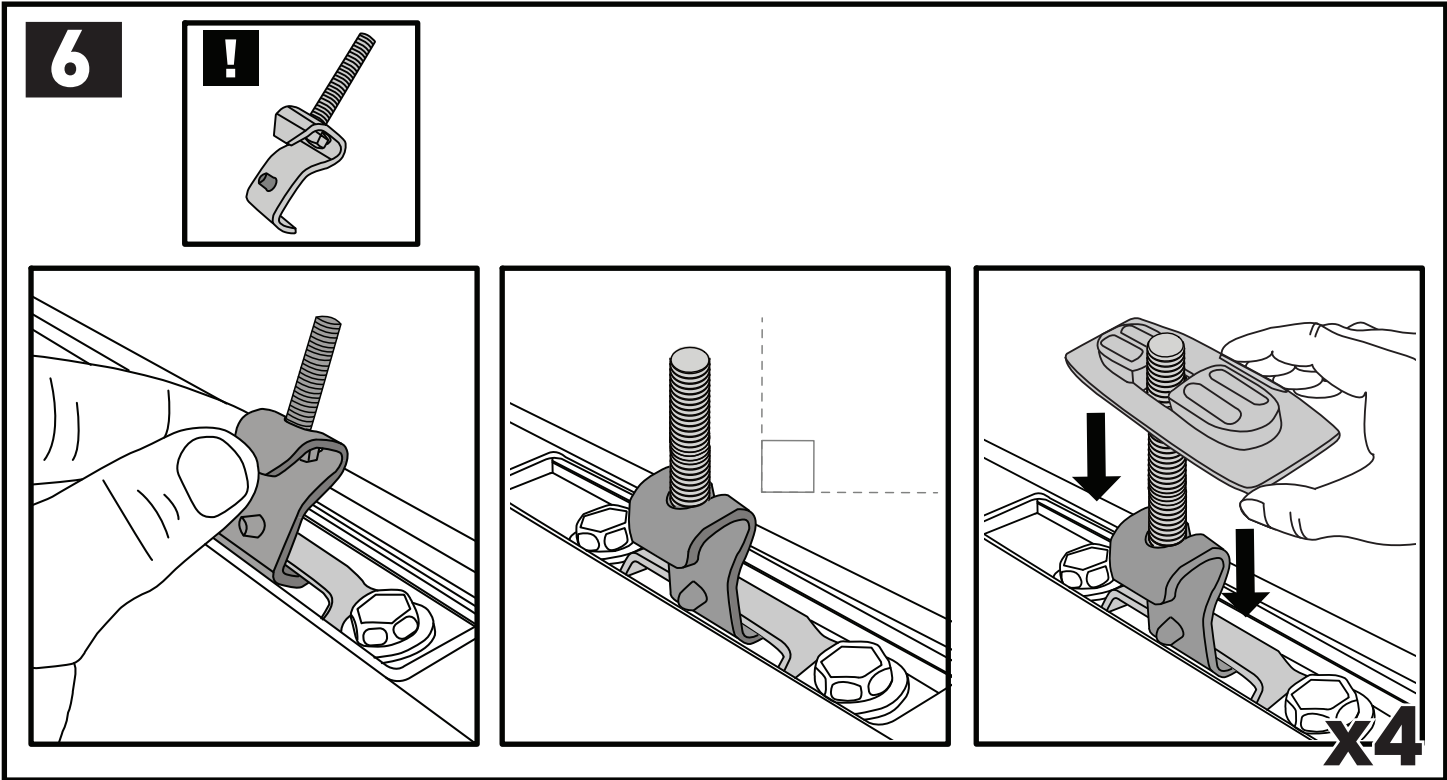
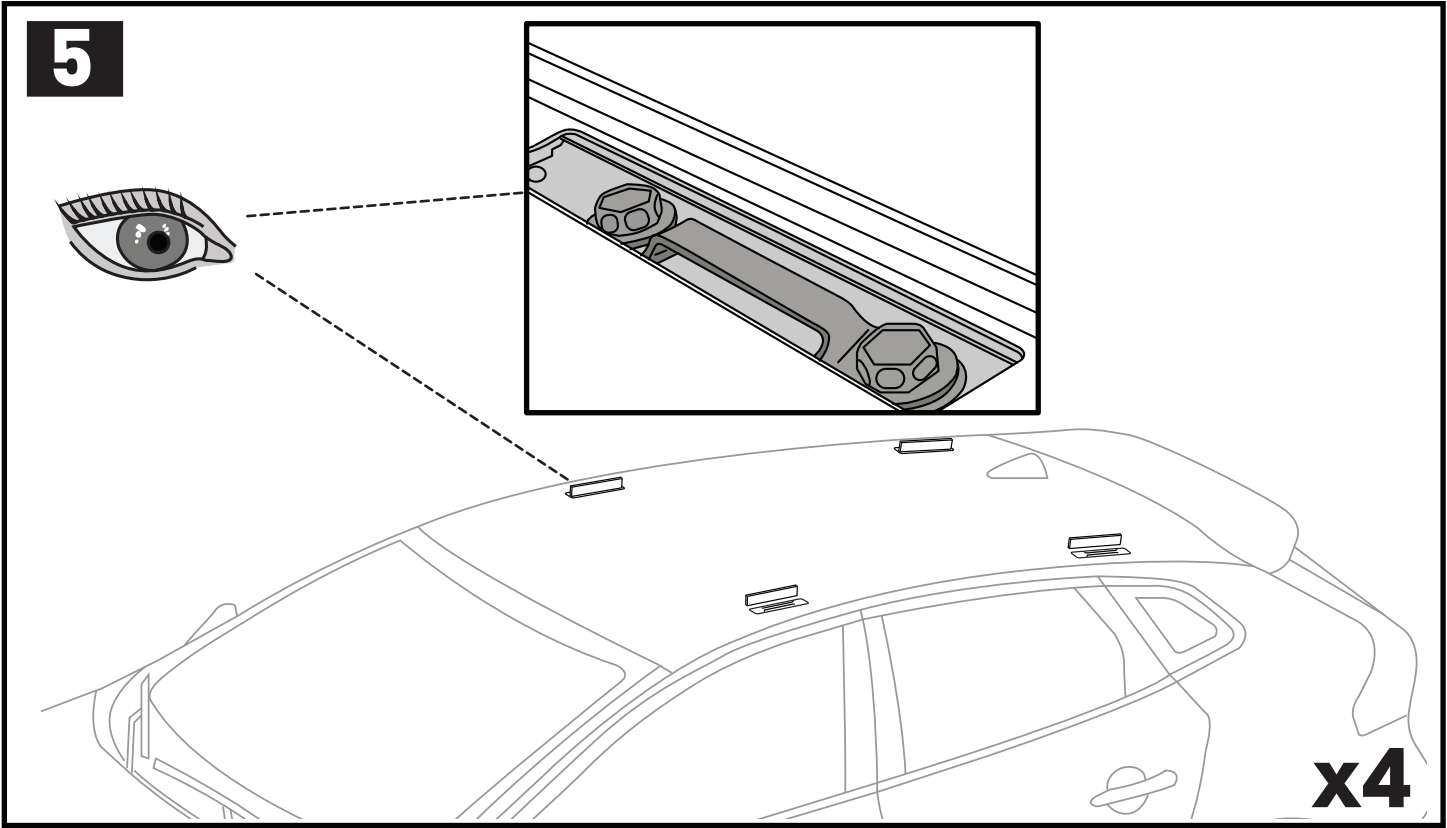
!

x10

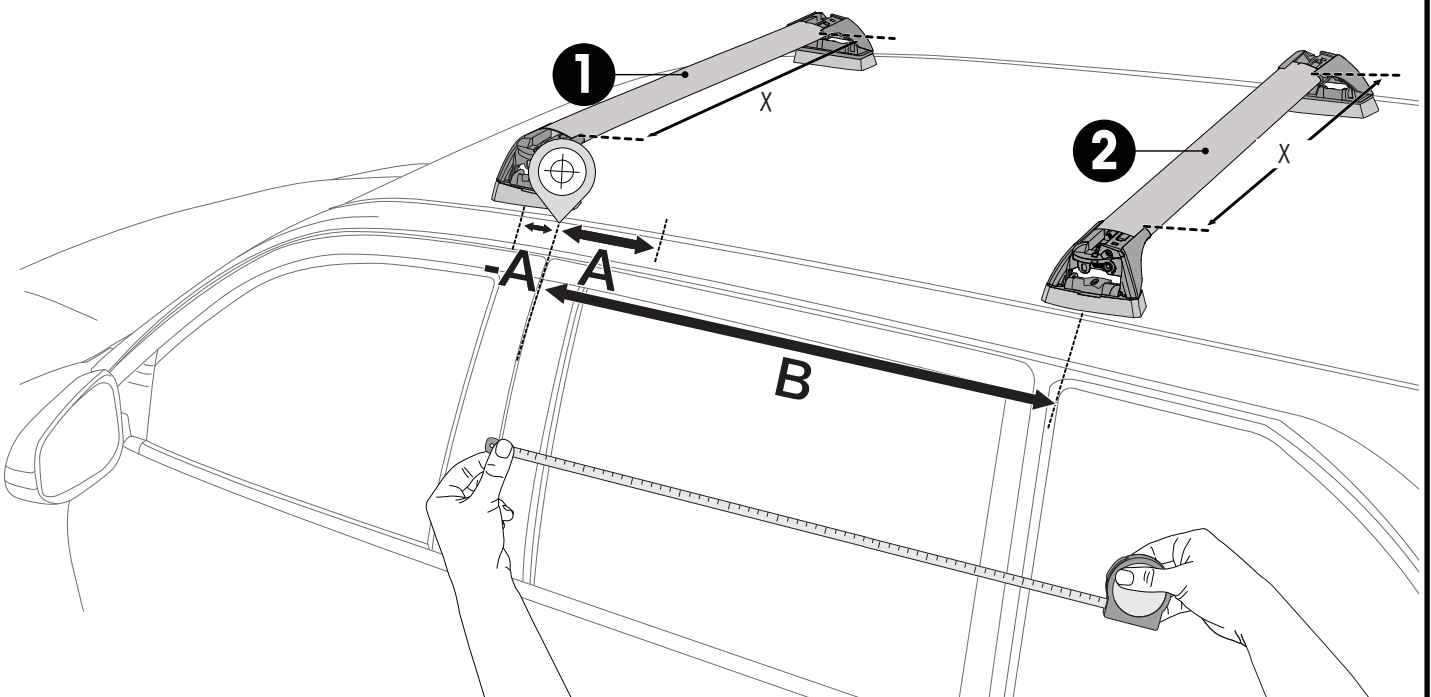
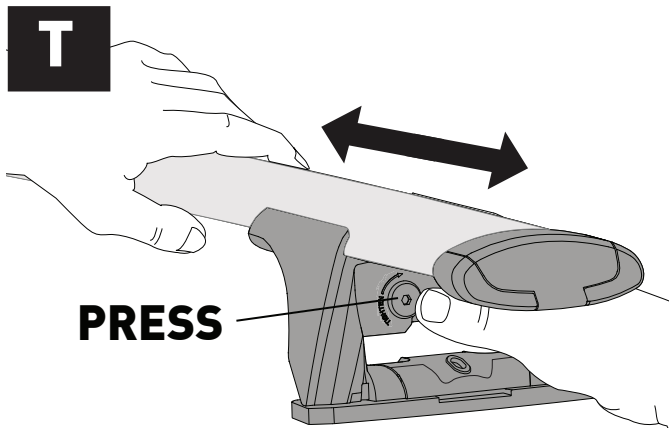
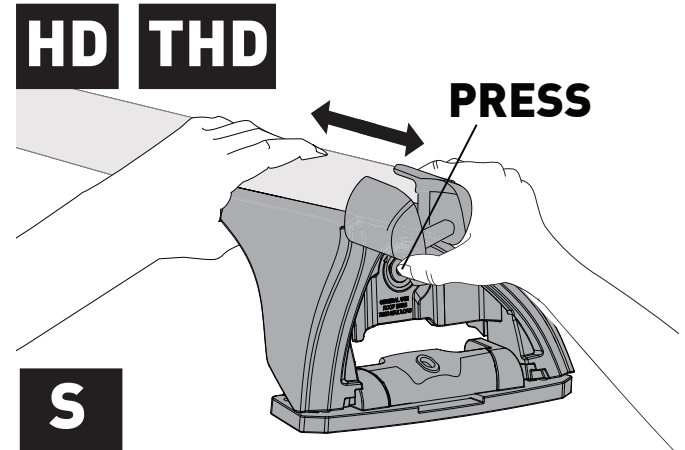
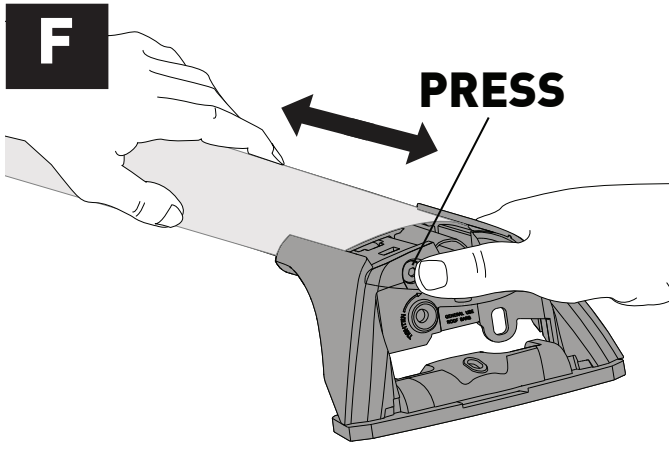




x4



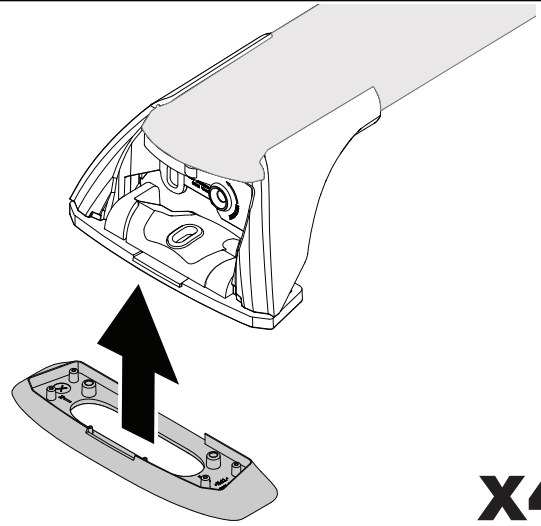
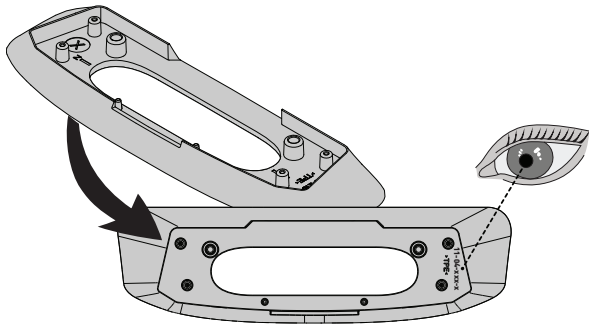


8



		1	2	A	B
Lexus LX, 5dr SUV Apr 98-Jul 07	AU	X = 1040 mm (41")	X = 1010 mm (39 3/4")	A = 150 mm (5 7/8")	B = 820 mm (32 1/4")
Lexus LX, 5dr SUV May 98-Oct 07	NZ	X = 1040 mm (41")	X = 1010 mm (39 3/4")	A = 150 mm (5 7/8")	B = 820 mm (32 1/4")
Suzuki SX4, 5dr Hatch 06-10	EU	X = 759 mm (29 7/8")	X = 723 mm (28 1/2")	-A = 120 mm (4 3/4")	B = 600 mm (23 5/8")
Suzuki SX4, 5dr Hatch Mar 07-13	AU, NZ	X = 759 mm (29 7/8")	X = 723 mm (28 1/2")	-A = 120 mm (4 3/4")	B = 600 mm (23 5/8")
Toyota Highlander, 5dr SUV 21+	EU	X = 955 mm (37 5/8")	X = 935 mm (36 3/4")	A = 300 mm (11 3/4")	B = 1100 mm (43 1/4")
Toyota Highlander GXL, 5dr SUV Jun 21+	NZ	X = 955 mm (37 5/8")	X = 935 mm (36 3/4")	A = 300 mm (11 3/4")	B = 1100 mm (43 1/4")
Toyota Kluger GX, 5dr SUV Jun 21+	AU	X = 955 mm (37 5/8")	X = 935 mm (36 3/4")	A = 300 mm (11 3/4")	B = 1100 mm (43 1/4")
Toyota Land Cruiser 100 Series, 5dr SUV 98-07	EU	X = 1040 mm (41")	X = 1010 mm (39 3/4")	A = 150 mm (5 7/8")	B = 820 mm (32 1/4")
Toyota Land Cruiser 100 Series, 5dr SUV Apr 98-Jun 07	AU	X = 1040 mm (41")	X = 1010 mm (39 3/4")	A = 150 mm (5 7/8")	B = 820 mm (32 1/4")
Toyota Land Cruiser 100 Series, 5dr SUV Apr 98-Oct 07	NZ	X = 1040 mm (41")	X = 1010 mm (39 3/4")	A = 150 mm (5 7/8")	B = 820 mm (32 1/4")
Toyota Land Cruiser 120 Series, 5dr SUV 03-09	EU	X = 920 mm (36 1/4")	X = 864 mm (34")	-	B = 850 mm (33 1/2")
Toyota Land Cruiser 200 Series, 5dr SUV 07-15	CN	X = 983 mm (38 3/4")	X = 954 mm (37 1/2")	A = 280 mm (11")	B = 940 mm (37")
Toyota Land Cruiser 200 Series, 5dr SUV Aug 07-Sep 15	AU	X = 983 mm (38 3/4")	X = 954 mm (37 1/2")	A = 280 mm (11")	B = 940 mm (37")
Toyota Land Cruiser 200 Series, 5dr SUV Nov 07-Sep 15	NZ	X = 983 mm (38 3/4")	X = 954 mm (37 1/2")	A = 280 mm (11")	B = 940 mm (37")
Toyota Land Cruiser 200 Series V8, 5dr SUV 07-12	EU	X = 983 mm (38 3/4")	X = 954 mm (37 1/2")	A = 280 mm (11")	B = 940 mm (37")
Toyota Land Cruiser 200 Series, 5dr SUV Oct 15-Nov 21	AU, NZ	X = 983 mm (38 3/4")	X = 959 mm (37 3/4")	A = 270 mm (10 5/8")	B = 930 mm (36 5/8")
Toyota Land Cruiser 200 Series, 5dr SUV 15-16	CN	X = 983 mm (38 3/4")	X = 959 mm (37 3/4")	A = 270 mm (10 5/8")	B = 930 mm (36 5/8")
Toyota Land Cruiser 300 Series, 5dr SUV Dec 21+	AU, NZ	X = 1035 mm (40 3/4")	X = 985 mm (38 3/4")	A = 70 mm (2 3/4")	B = 900 mm (35 3/8")
Toyota Land Cruiser Prado 120 Series, 5dr SUV Mar 03-Oct 09	AU	X = 920 mm (36 1/4")	X = 864 mm (34")	-	B = 850 mm (33 1/2")
Toyota Land Cruiser Prado 120 Series, 5dr SUV Mar 03-Nov 09	NZ	X = 920 mm (36 1/4")	X = 864 mm (34")	-	B = 850 mm (33 1/2")
Toyota Land Cruiser Prado 150 Series, 5dr SUV Nov 09+	AU	X = 935 mm (36 3/4")	X = 895 mm (35 1/4")	A = 20 mm (6/8")	B = 830 mm (32 5/8")
Toyota Land Cruiser Prado 150 Series, 5dr SUV Dec 09+	NZ	X = 935 mm (36 3/4")	X = 895 mm (35 1/4")	A = 20 mm (6/8")	B = 830 mm (32 5/8")
Toyota Rav 4, 3dr SUV 94-00	EU	-	-	-	-
Toyota Rav 4, 3dr SUV Jun 94-May 00	AU, NZ	-	-	-	-
Toyota Rav 4, 3dr SUV 00-06	EU	X = 862 mm (33 7/8")	X = 808 mm (31 3/4")	-A = 440 mm (17 3/8")	B = 230 mm (9")
Toyota Rav 4, 3dr SUV Jun 00-Jan 06	NZ	X = 862 mm (33 7/8")	X = 808 mm (31 3/4")	-A = 440 mm (17 3/8")	B = 230 mm (9")
Toyota Rav 4 20 Series, 3dr SUV Jun 00-Jan 06	AU	X = 862 mm (33 7/8")	X = 808 mm (31 3/4")	-A = 440 mm (17 3/8")	B = 230 mm (9")
Toyota Rav 4, 5dr SUV 94-00	EU	X = 745 mm (29 3/8")	X = 735 mm (27 7/8")	A = 220 mm (8 5/8")	B = 830 mm (32 5/8")
Toyota Rav 4, 5dr SUV Dec 94-May 00	NZ	X = 745 mm (29 3/8")	X = 735 mm (27 7/8")	A = 220 mm (8 5/8")	B = 830 mm (32 5/8")
Toyota Rav 4, 5dr SUV Dec 95-May 00	AU	X = 745 mm (29 3/8")	X = 735 mm (27 7/8")	A = 220 mm (8 5/8")	B = 830 mm (32 5/8")
Toyota Rav 4, 5dr SUV 00-04	EU	X = 854 mm (33 5/8")	X = 806 mm (31 3/4")	-A = 100 mm (3 7/8")	B = 550 mm (21 5/8")
Toyota Rav 4, 5dr SUV Jun 00-Jan 06	NZ	X = 854 mm (33 5/8")	X = 806 mm (31 3/4")	-A = 100 mm (3 7/8")	B = 550 mm (21 5/8")
Toyota Rav 4 20 Series, 5dr SUV Jun 00-Jan 06	AU	X = 854 mm (33 5/8")	X = 806 mm (31 3/4")	-A = 100 mm (3 7/8")	B = 550 mm (21 5/8")

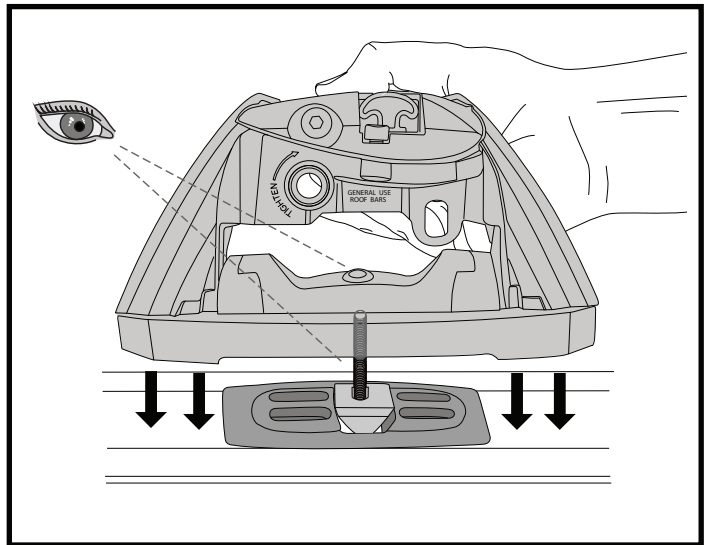
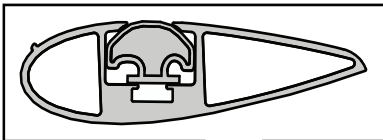
9



x4

PLACEMENT • PLATZIERUNG • COLOCACIÓN • MONTAGE • PLASSERING • COLOCAÇÃO • РАЗМЕЩЕНИЕ • MONTAGGIO
 UMIESZCZENIE • UMÍSTĚNÍ • UMIESTNENIE • PLAATSIING • PLACERING • PLACERING • РОЗМІЩЕННЯ • SIJOITTA

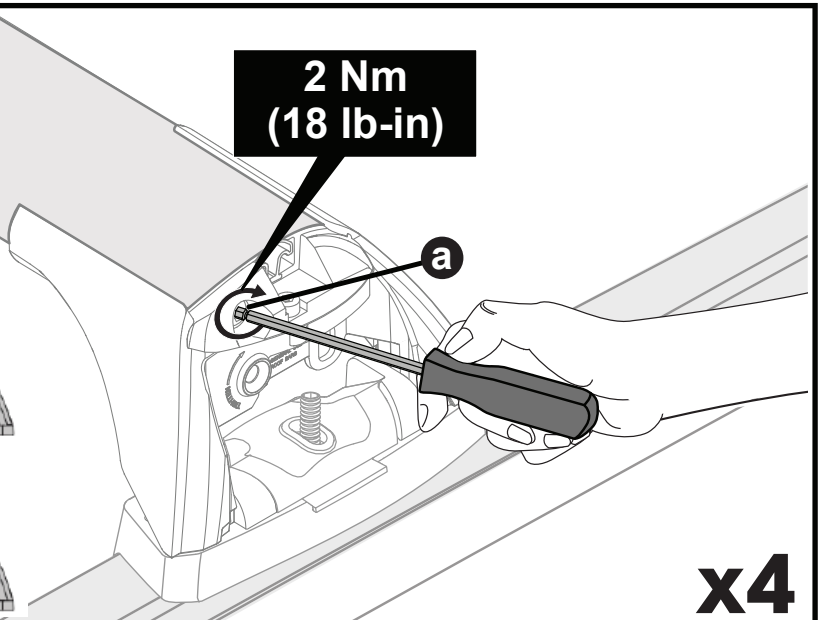
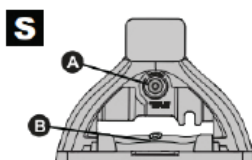
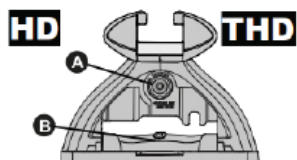
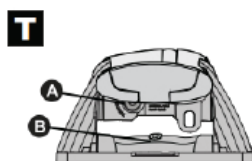
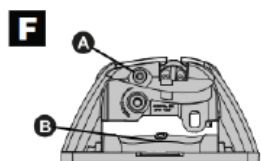
10



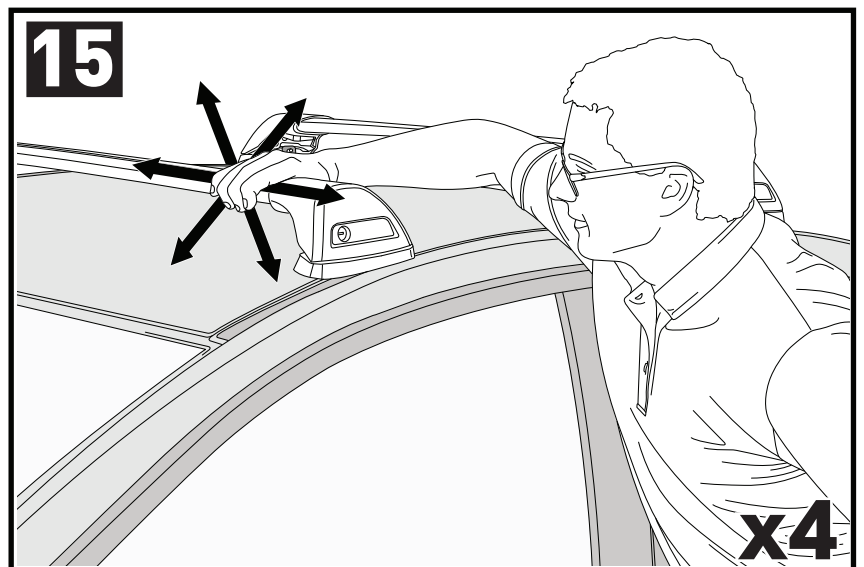
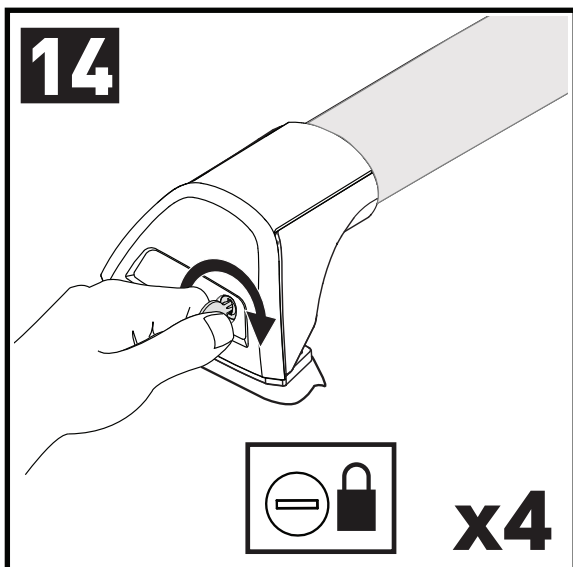
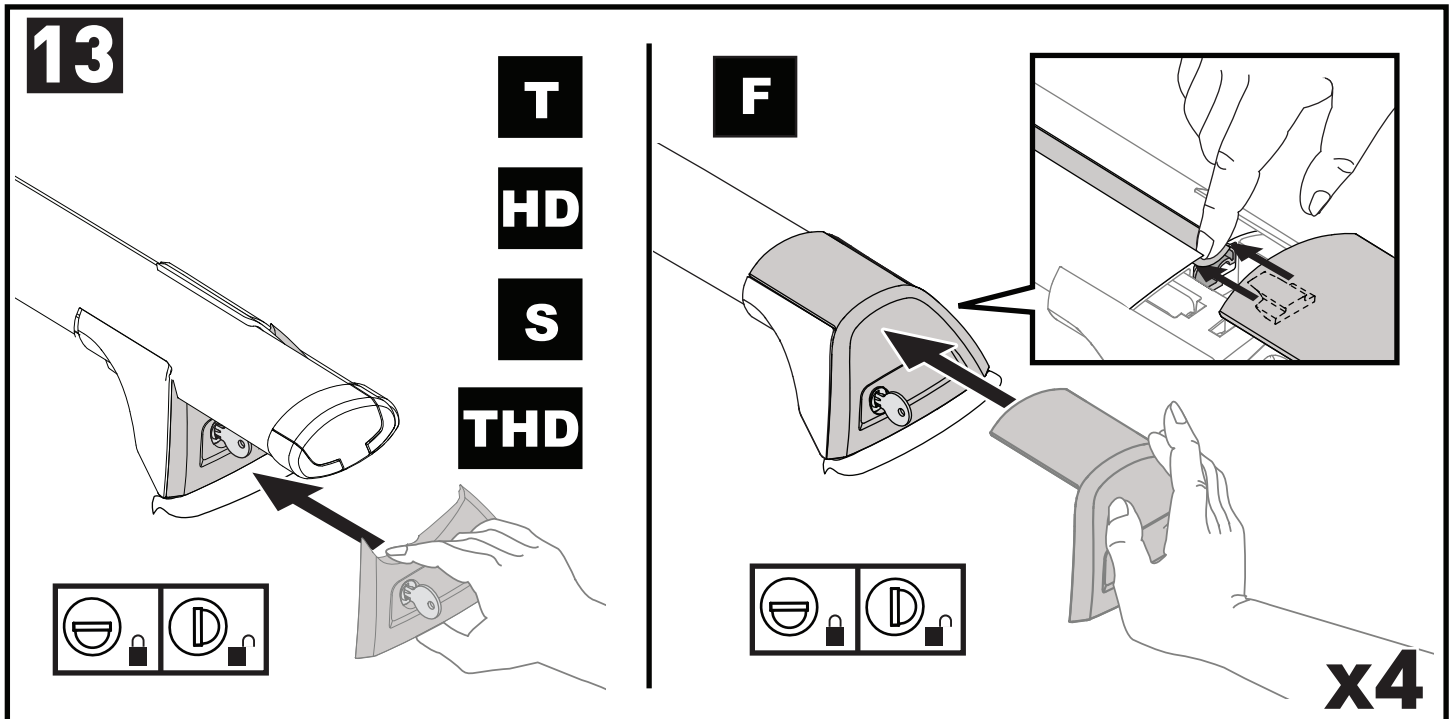
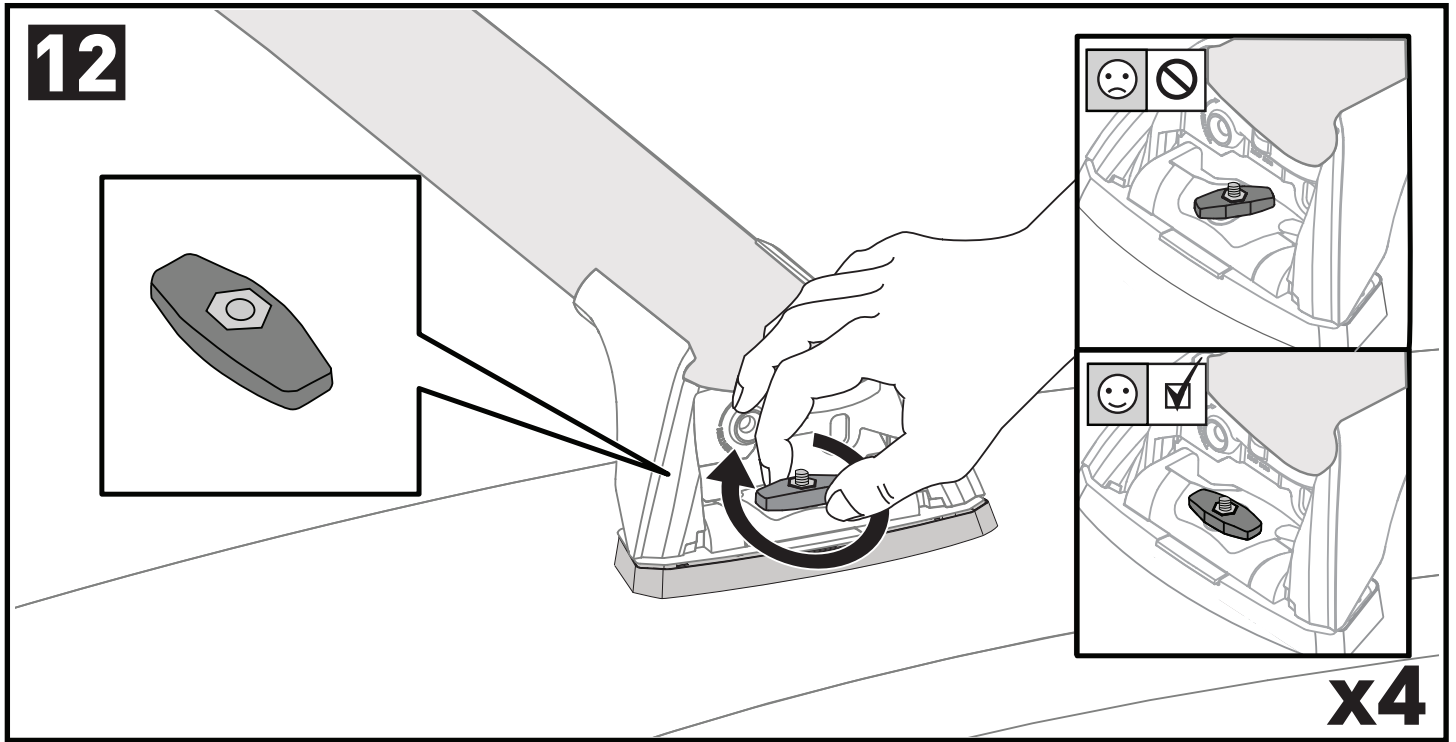
x4

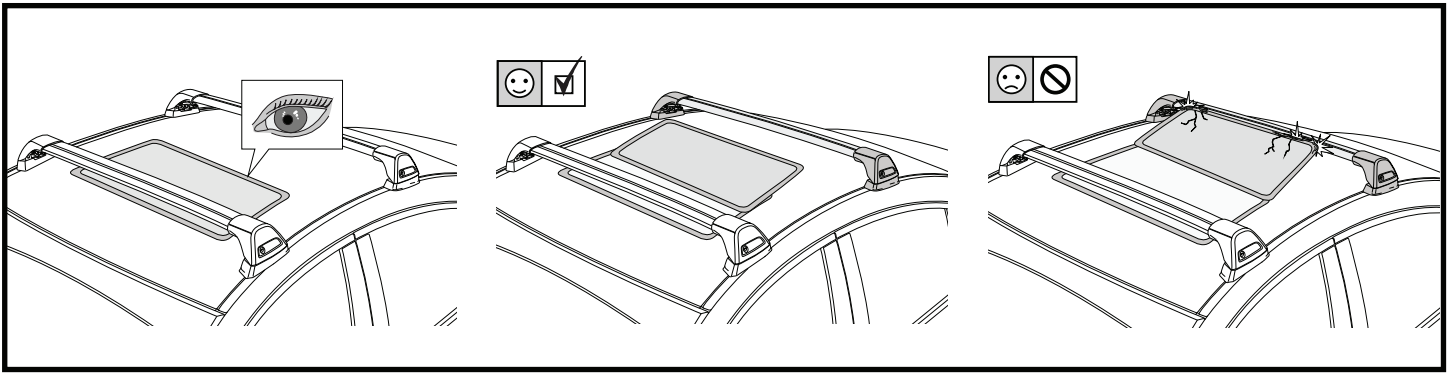
11

2 Nm
(18 lb-in)



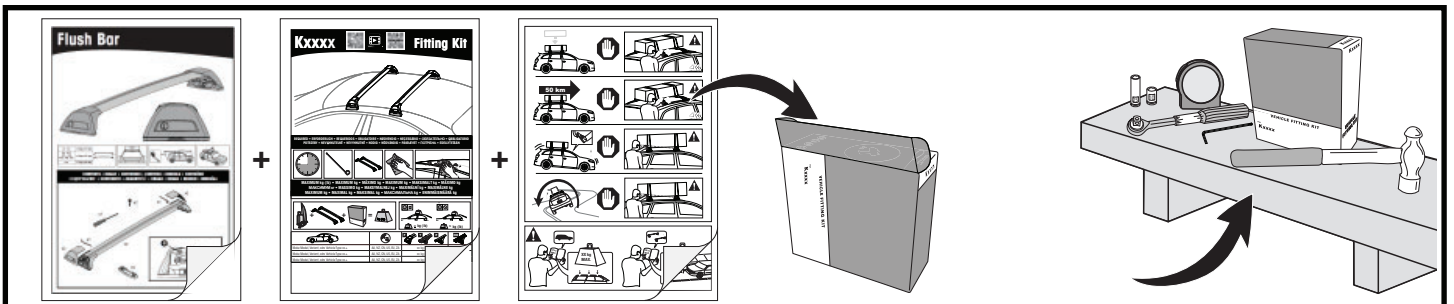
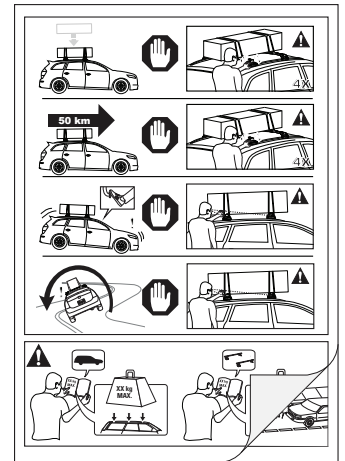
x4





**ATTENTION • ACHTUNG • ATENCIÓN • ATTENTION • OPPMERKSOMHET • ATENÇÃO • ВНИМАНИЕ • ATTENZIONE
 UWAGA • UPOZORNĚNÍ • UPOZORNENIE • LET OP • UPPMÄRKSAMHET • OPMÆRKSOMHED • УВАГА • HUOMIO**

- EN** Please read safety and warranty booklet included with this product prior to use. For more information visit your local dealer.
- DE** Bitte lesen und beachten Sie die beiliegende Montageanleitung, Sicherheitshinweise und Garantiebedingungen bevor Sie das Produkt montieren/benutzen. Für weitere Informationen kontaktieren Sie bitte Ihren Händler.
- ES** Por favor, lea folleto de seguridad y garantía que se incluye con este producto antes de su uso. Para obtener más información, visite a su distribuidor local.
- FR** Veuillez lire attentivement le manuel de sécurité et de garantie avant utilisation. Pour plus d'informations, visitez votre concessionnaire local.
- NO** Vennligst les hefte om sikkerhet og garanti som er vedlagt dette produkt før det tas i bruk. For mer informasjon ta kontakt med din forhandler.
- PT** Por favor leia o manual de segurança e garantia incluído, antes de utilizar o produto. Para mais informações visite o seu revendedor local.
- RU** Пожалуйста, ознакомьтесь с инструкцией перед тем, как использовать товар. Для получения более подробной информации обратитесь к местному дилеру.
- IT** Si prega di leggere il libretto di sicurezza e garanzia incluso nel prodotto prima dell'uso. Per maggiori informazioni visita il rivenditore locale.
- PL** Proszę zapoznać się z warunkami gwarancji i bezpieczeństwa przed użyciem produktu. W celu uzyskania dodatkowych informacji proszę kontaktować się z najbliższym autoryzowanym punktem sprzedaży.
- CS** Před použitím si prosím přečtěte přiložené informace o bezpečnosti a záručních podmínkách. Pro více informací navštivte nejbližšího dealera.
- SK** Pred použitím si prosím prečítajte priložené informácie o bezpečnosti a záručných podmienkach. Pre viac informácií navštívte najbližšieho diera.
- NL** A.U.B. bijgesloten garantie- en veiligheidsinstructies grondig lezen voor gebruik van dit product. Voor meer informatie graag contact opnemen met uw dealer.
- SV** Var snabb och läs igenom säkerhets- och garantihäftet som medföljer produkten före användning. För mer information besök din lokala återförsäljare.
- DK** Læs venligst sikkerheds- og garantibogholderen, der følger med dette produkt, inden brug. For mere information besøg din lokale forhandler.
- UA** Будь ласка, ознайомтеся з бронею безпеки та гарантії, включені до цього продукту перед використанням. Для отримання додаткової інформації відвідайте місцевого дилера.
- FI** Lue tämän tuotteen mukana toimitetut turvallisuus- ja takuu huoltopalvelut ennen käyttöä. Lisätietoja saat paikalliselta jälleenmyyjältä.



ALL CONTENT SUBJECT TO YAKIMA AUSTRALIA PTY LTD COPYRIGHT © 2017

Yakima Australia Pty Ltd
 17 Hinkler Court, Brendale
 QLD 4500, Australia
 1800 143 548
 www.prorack.com.au
 www.yakima.com.au

Yakima Products, Inc.
 4101 Kruse Way
 Lake Oswego, OR. 97035 USA
 888 925 4621
 www.yakima.com

WORKS WITH:
Prorack
 WHISPBAR
YAKIMA