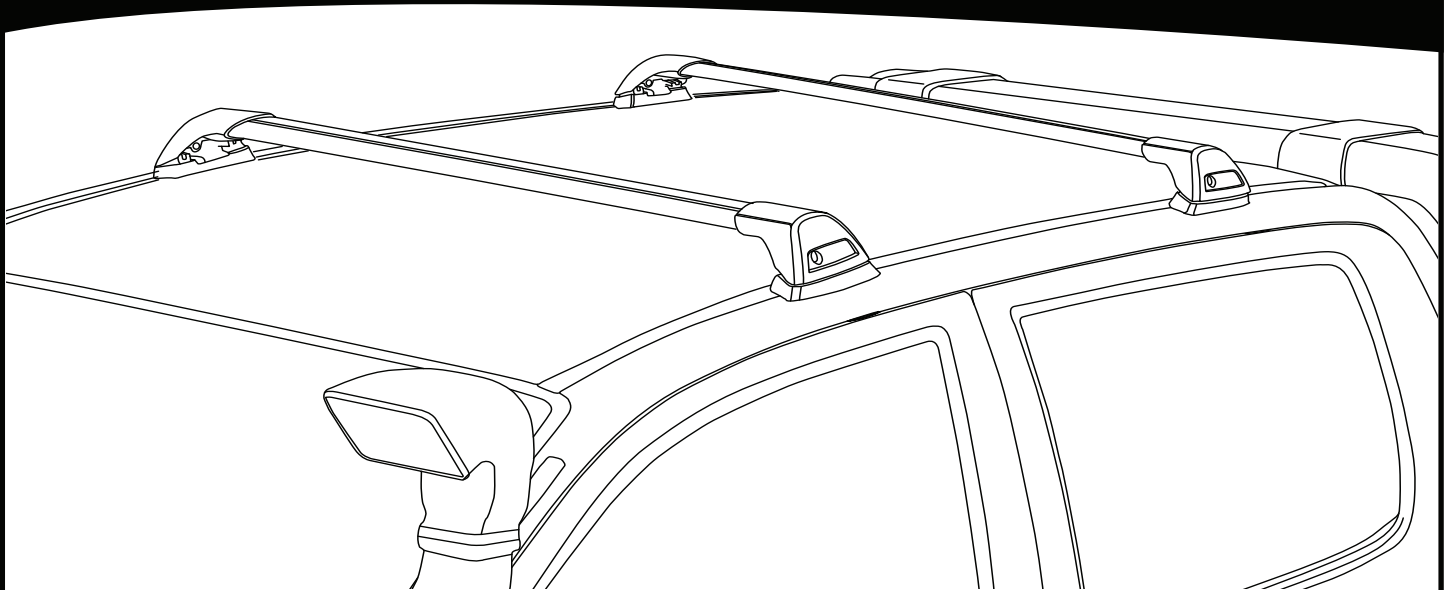


# K719



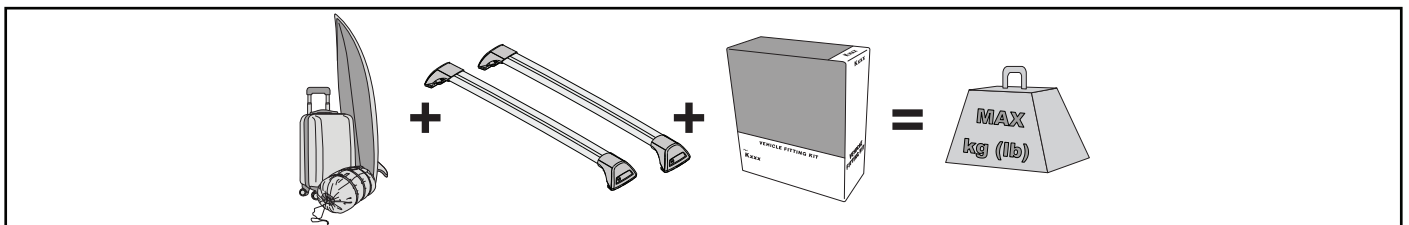
# Instructions



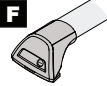
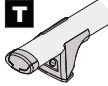
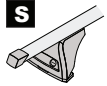


**CAUTION:** Professional installation recommended • **ACHTUNG:** Installation nur durch qualifizierten Fachmann • **PRECAUCIÓN:** Sólo instalación profesional • **ATTENTION :** Installation professionnelle obligatoire • **ADVARSEL:** Kun profesjonell montering • **CUIDADO:** Instalação feita apenas por profissionais • **ATTENZIONE:** Solo per installazione professionale • **UWAGA:** Montaż musi być przeprowadzony przez specjalistę • **UPOZORNĚNÍ:** Je nutná odborná montáž • **UPOZORNENIE:** Potřebná odborná montáž • **WAARSCHUWING:** Montage uitsluitend door een vakman • **VARNING:** Installeras av fackman • **OPMÆRKSOMHED:** Professionel installation anbefales • **УВАГА:** рекомендується професійна установка • **HUOMIO:** Ammattimaista asennusta suositellaan



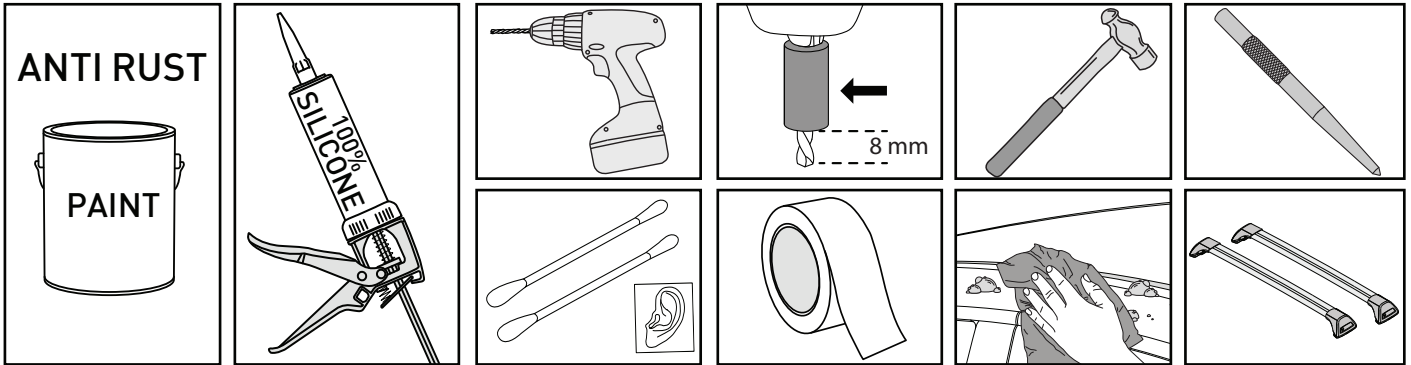
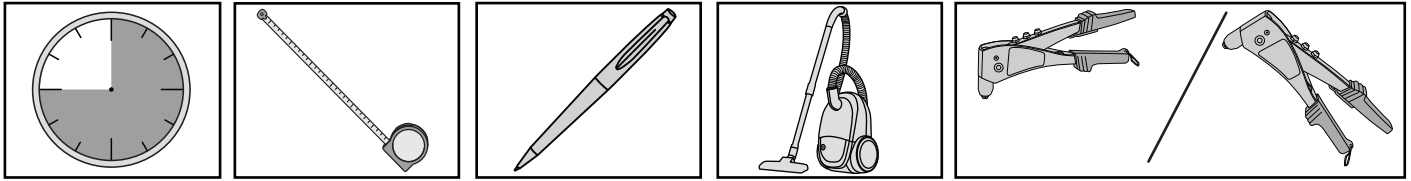
- EN** ALWAYS REFER TO OUR WEBSITE FOR THE LATEST VERSION OF INSTRUCTIONS.  
**DE** BESUCHEN SIE IMMER UNSERE WEBSITES, UM DIE NEUESTE VERSION DER ANWEISUNGEN ZU ERHALTEN.  
**ES** CONSULTE NUESTRAS PÁGINAS WEB PARA VER LA ÚLTIMA VERSIÓN DE LAS INSTRUCCIONES.  
**FR** RÉFÉREZ VOUS TOUJOURS À NOS SITES INTERNET POUR CONSULTER LA DERNIÈRE VERSION DES INSTRUCTIONS.  
**NO** DEN NYESTE VERSJONEN AV INSTRUKSJONENE ER ALLTID TILGJENGELIG PÅ VÅRE NETTSIDER.  
**PT** CONSULTE SEMPRE OS NOSSOS WEBSITES PARA OBTER A MAIS RECENTE VERSÃO DAS INSTRUÇÕES.  
**IT** FARE SEMPRE RIFERIMENTO AI NOSTRI SITI WEB PER L'ULTIMA VERSIONE DELLE ISTRUZIONI.  
**PL** ZAWSZE SPRAWDZAJ NASZĄ STRONĘ INTERNETOWĄ, ABY UZYSKAĆ NAJNOWSZĄ WERSJĘ INSTRUKCJI.  
**CS** NEJNOVĚJŠÍ VERZI POKYNŮ VŽDY NAJDETE NA NAŠÍ WEBOVÉ STRÁNCE.  
**SK** POSLEDNÚ VERZIU POKYNOV VŽDY NÁJDETE NA NAŠICH WEBOVÝCH STRÁNKACH.  
**NL** RAADPLEEG ALTIJD ONZE WEBSITES VOOR DE MEEST RECENTE VERSIE VAN DE INSTRUCTIES.  
**SV** SE ALLTID VÅRA WEBBPLATSER FÖR DEN SENASTE VERSIONEN AV INSTRUKTIONERNA.  
**DK** DEN NYESTE VERSION AF VEJLEDNINGERNE ER ALTID TILGÆNGELIG PÅ VORES HJEMMESIDER.  
**UA** ОСТАННЯ ВЕРСІЯ ІНСТРУКЦІЇ ЗАВЖДИ ДОСТУПНА НА НАШОМУ САЙТІ.  
**FI** KATSO AINA VERKKOSIVUSTOILTAMME UUSIN VERSIO OHJEISTA.

## MAX kg (lb)

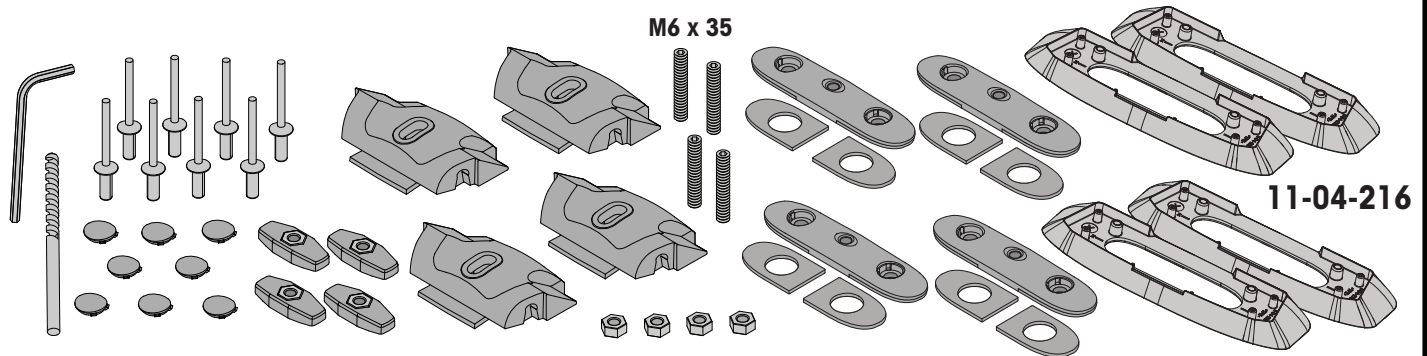


		  	 
Chevrolet Colorado Crew Cab, 4dr Ute 12-20	EU	75 kg (165 lb)	100 kg (220 lb)
Chevrolet Colorado Extended Cab, 4dr Ute 12+	EU	75 kg (165 lb)	100 kg (220 lb)
Chevrolet Colorado Single Cab, 2dr Ute 13-20	EU	35 kg (77 lb)	50 kg (110 lb)
Dodge Ram 1500 Crew Cab DS, 4dr Ute 09-12	AU, NZ	75 kg (165 lb)	100 kg (220 lb)
Dodge Ram 1500 Crew Cab, 4dr Ute 09-12	EU	75 kg (165 lb)	100 kg (220 lb)
Dodge Ram 1500, Quad Cab 4dr Ute 09-12	AU, EU, NZ	75 kg (165 lb)	100 kg (220 lb)
Holden Colorado Single Cab, 2dr Ute 12-20	AU, NZ	35 kg (77 lb)	50 kg (110 lb)
Holden Colorado Space Cab, 4dr Ute 12-20	AU, NZ	75 kg (165 lb)	100 kg (220 lb)
Hyundai Ioniq 6, 4dr Sedan 23+	AU, EU, NZ	75 kg (165 lb)	75 kg (165 lb)
Isuzu D-Max SX Crew Cab, 4dr Ute 12-Aug 20	AU, NZ	75 kg (165 lb)	100 kg (220 lb)
Isuzu D-Max Extended Cab, 4dr Ute 12-20	EU	75 kg (165 lb)	100 kg (220 lb)
Isuzu D-Max Single Cab, 2dr Ute 12-19	EU	35 kg (77 lb)	50 kg (110 lb)
Isuzu D-Max SX/EX Single Cab, 2dr Ute 12-Aug 20	AU, NZ	35 kg (77 lb)	50 kg (110 lb)
Isuzu D-Max Single Cab, 2dr Ute 20+	EU	35 kg (77 lb)	50 kg (110 lb)
Isuzu D-Max Single Cab, 2dr Ute Sep 20+	AU, NZ	35 kg (77 lb)	50 kg (110 lb)
Isuzu D-Max LS-U/LS-M Space Cab, 4dr Ute 12-Aug 20	AU, NZ	75 kg (165 lb)	100 kg (220 lb)
Isuzu D-Max SX Space Cab, 4dr Ute May 12-Aug 20	AU, NZ	75 kg (165 lb)	100 kg (220 lb)
Isuzu D-Max Space Cab, 4dr Ute 20+	EU	75 kg (165 lb)	100 kg (220 lb)
Isuzu D-Max Space Cab, 4dr Ute Sep 20+	AU, NZ	75 kg (165 lb)	100 kg (220 lb)
Isuzu MU-X LS-M, 5dr SUV 21+	EU	75 kg (165 lb)	75 kg (165 lb)
Isuzu MU-X LS-M, 5dr SUV Aug 21+	AU, NZ	75 kg (165 lb)	75 kg (165 lb)
LDV Deliver 9, 4dr Van Oct 20+	AU, NZ	-	100 kg (220 lb)
LDV Maxus T90 EV, 4dr Ute 22+	EU	75 kg (165 lb)	100 kg (220 lb)
LDV T60/60 Max/eT60 Double Cab, 4dr Ute 17+	AU, NZ	75 kg (165 lb)	100 kg (220 lb)
LDV T60/60 Max/eT60 Single Cab, 4dr Ute Oct 17+	AU, NZ	75 kg (165 lb)	100 kg (220 lb)
Mahindra Genio, 4dr Ute 14+	NZ	75 kg (165 lb)	75 kg (165 lb)
Mahindra Genio, 4dr Ute 16+	AU	75 kg (165 lb)	75 kg (165 lb)
Mazda BT-50 Freestyle Cab, 4dr Ute Oct 20+	AU, NZ	75 kg (165 lb)	100 kg (220 lb)
Mazda BT-50 Single Cab, 2dr Ute Oct 20+	AU, NZ	35 kg (77 lb)	50 kg (110 lb)
Mitsubishi L200 Single Cab, 2dr Ute 15-23	EU	35 kg (77 lb)	35 kg (77 lb)
Mitsubishi Triton Single Cab, 2dr Ute May 15-Jan 24	AU, NZ	35 kg (77 lb)	35 kg (77 lb)
Mitsubishi Triton Single Cab, 2dr Ute 24+	EU	35 kg (77 lb)	35 kg (77 lb)
Mitsubishi Triton Single Cab, 2dr Ute Feb 24+	AU, NZ	35 kg (77 lb)	35 kg (77 lb)
RAM 1500 Crew Cab, 4dr Ute 13-18	EU	75 kg (165 lb)	100 kg (220 lb)
RAM 1500 Crew Cab/Classic Cab, 4dr Ute 13-18	AU, NZ	75 kg (165 lb)	100 kg (220 lb)
RAM 1500 Quad Cab, 4dr Ute 13+	AU, EU, NZ	75 kg (165 lb)	100 kg (220 lb)
RAM 1500, 4dr Ute 19+	AU	75 kg (165 lb)	100 kg (220 lb)
RAM 1500, 4dr Ute 20+	EU, NZ	75 kg (165 lb)	100 kg (220 lb)
RAM 2500 DJ, 4dr Ute 20+	AU, EU	75 kg (165 lb)	100 kg (220 lb)

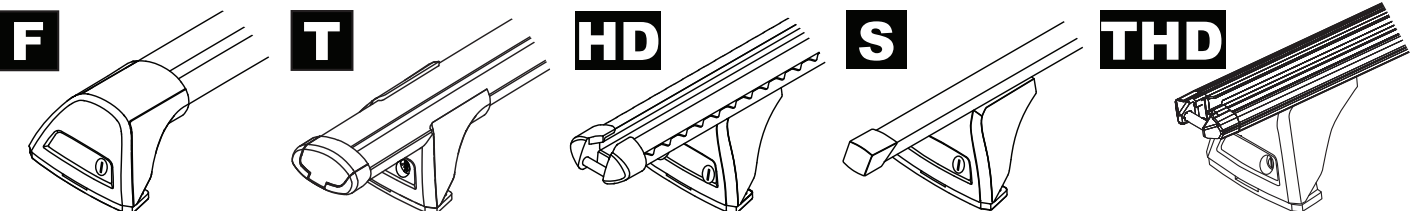
REQUIRED • ERFORDERLICH • REQUERIDOS • OBLIGATOIRE • NØDVENDIG • NECESSÁRIO • OBBLIGATORIO  
 POTRZEBY • NEVYHNUTELNÉ • NEVYHNUTNÉ • NODIG • NØDVÄNDIG • PÅKRÆVET • ΠΟΤΡΙΒΗΑ • EDELLYTETÄÄN



CONTENTS • INHALT • CONTENIDO • CONTENU • INNHOLD • CONTEÚDO • CONTENUTO  
 ZAWARTOŚĆ • OBSAH • OBSAH • INHOUD • INNEHÅLL • INDHOLD • ЗМІСТ • SISÄLLYS



COMPATIBLE WITH • KOMPATIBEL MIT • COMPATIBLE CON • COMPATIBLE AVEC • KOMPATIBEL MED •  
 COMPATÍVEL COM • COMPATIBLE CON • KOMPATYBILNOŚĆ Z • KOMPATIBILNÍ S • KOMPATIBILNÉ S •  
 COMPATIBEL MET • KOMPATIBEL MED • KOMPATIBEL MED • СУМІСНИЙ З • YHTEENSOPIVA



FLUSH (F)

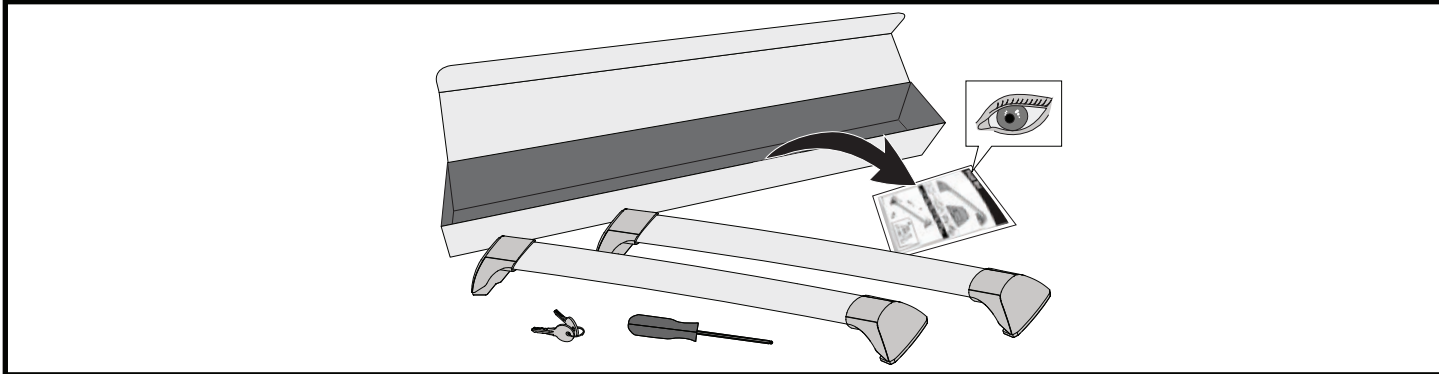
THROUGH (T)

HEAVY DUTY (HD)

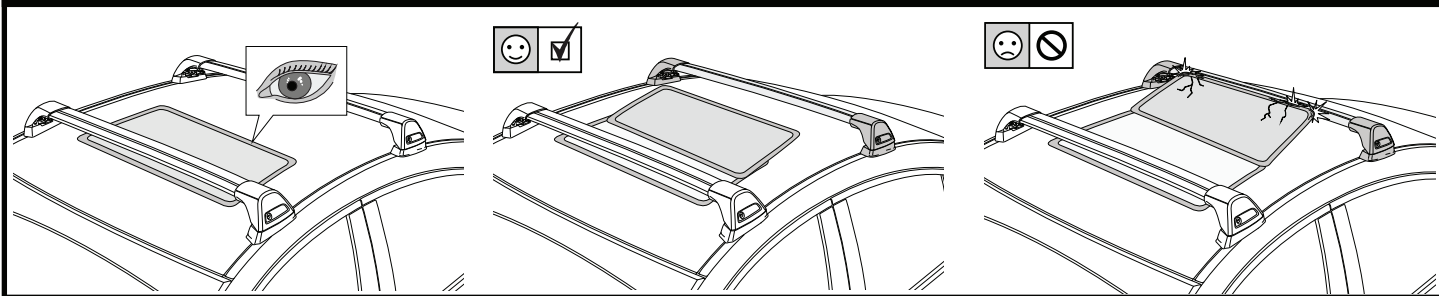
STANDARD (S)

TRIM HD (THD)

ATTENTION • ACHTUNG • ATENCIÓN • ATTENTION • OPPMERKSOMHET • ATENÇÃO • ATTENZIONE • UWAGA  
 UPOZORNĚNÍ • UPOZORNENIE • LET OP • UPPMÄRKSAMHET • OPMÆRKSOMHED • УВАГА • HUOMIO



ATTENTION • ACHTUNG • ATENCIÓN • ATTENTION • OPPMERKSOMHET • ATENÇÃO • ATTENZIONE • UWAGA  
 UPOZORNĚNÍ • UPOZORNENIE • LET OP • UPPMÄRKSAMHET • OPMÆRKSOMHED • УВАГА • HUOMIO



**1**

**F**

**T**

---

**HD**

**S**

**THD**

**x4**

**2**

**HD/S**

**F/T**

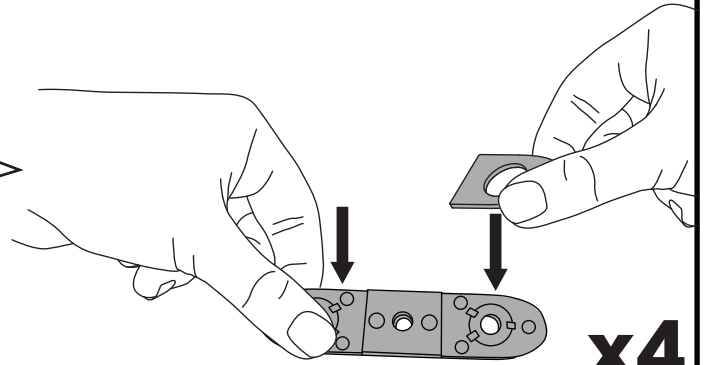
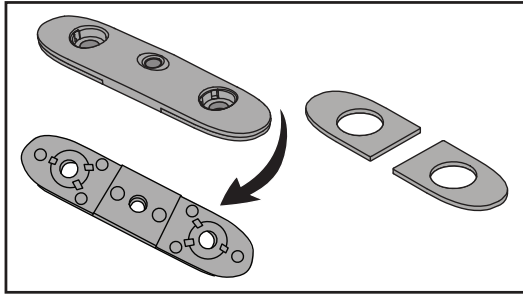
**F** **T**

**HD** **THD** **S**

**x10**

**a**

**x4**

**3****x4**

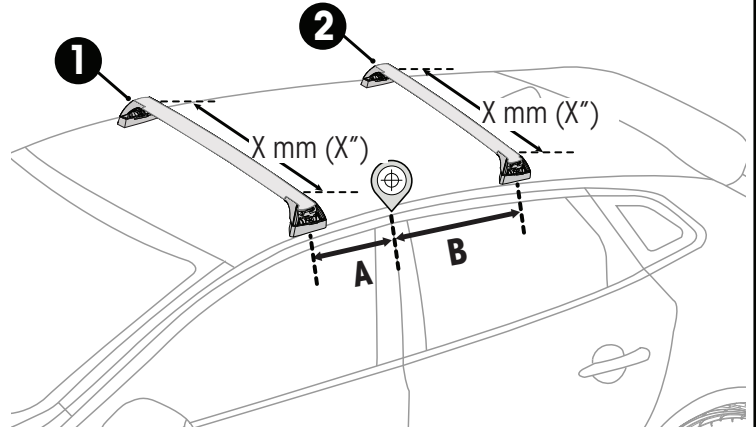
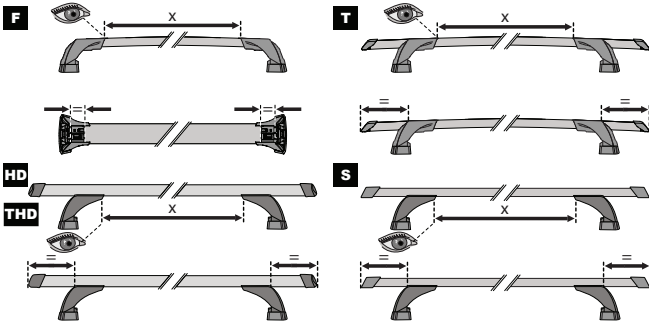
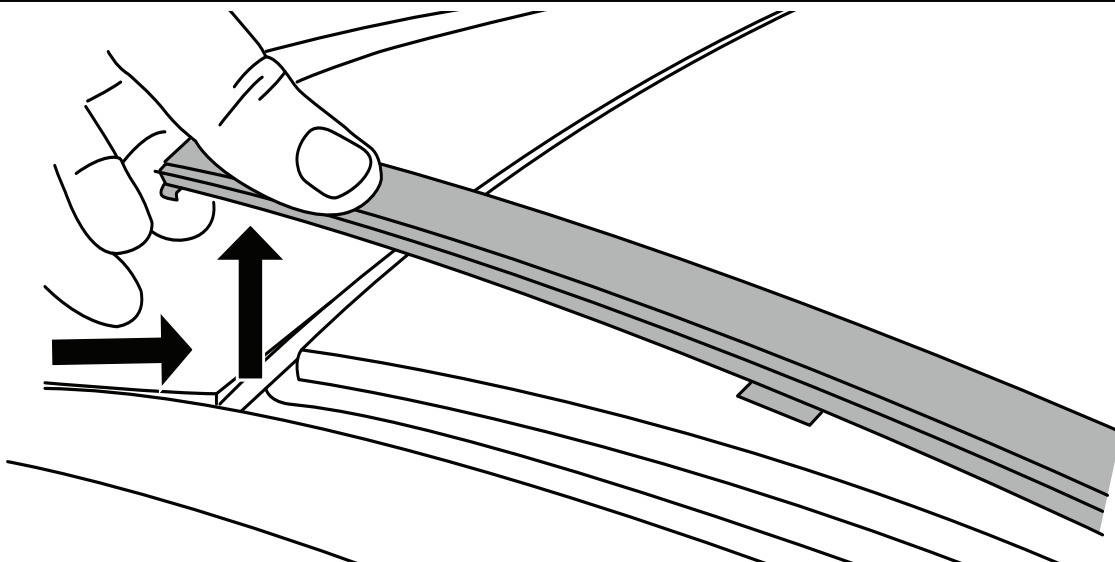
**ATTENTION • ACHTUNG • ATENCIÓN • ATTENTION • OPPMERKSOMHET • ATENÇÃO • ATTENZIONE • UWAGA  
UPOZORNĚNÍ • UPOZORNENIE • LET OP • UPPMÄRKSAMHET • OPMÆRKSOMHED • УВАГА • HUOMIO**

**IONIQ 6 ONLY • IONIQ 6 NUR • IONIQ 6 SOLAMENTE • IONIQ 6 SEULEMENT • IONIQ 6 BARE • IONIQ 6 SOMENTE • SOLO  
IONIQ 6 • IONIQ 6 TYLKO • IONIQ 6 POUZE • IONIQ 6 IBA • IONIQ 6 ALLEEN • IONIQ 6 BARA • KUN IONIQ 6 • IONIQ 6  
ТІЛЬКИ • VAIN IONIQ 6**



**4**

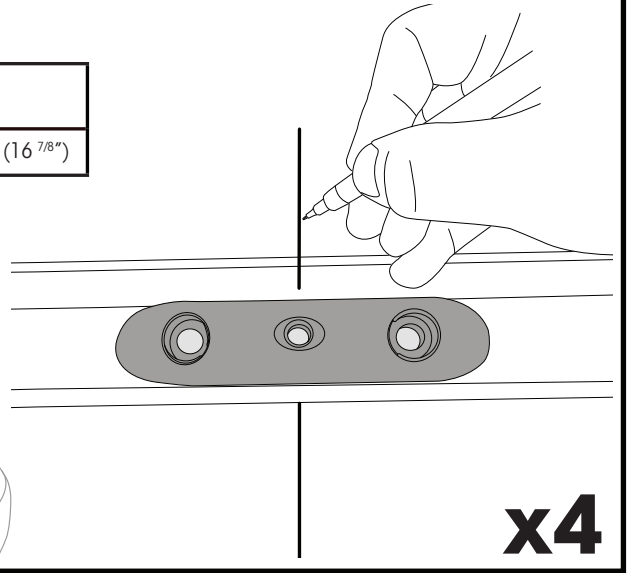
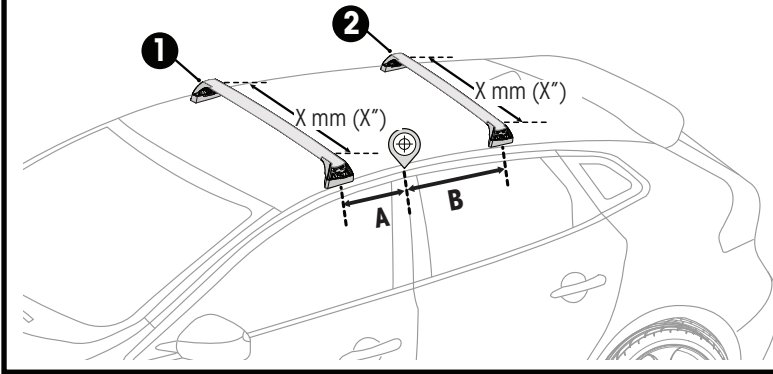
		<b>A</b>	<b>B</b>
Hyundai Ioniq 6, 4dr Sedan 23+	AU, EU, NZ	-A = 255 mm (10")	B = 430 mm (16 7/8")

		<b>1</b>	<b>2</b>
Hyundai Ioniq 6, 4dr Sedan 23+	AU, EU, NZ	X = 940 mm (37")	X = 840 mm (33 1/8")

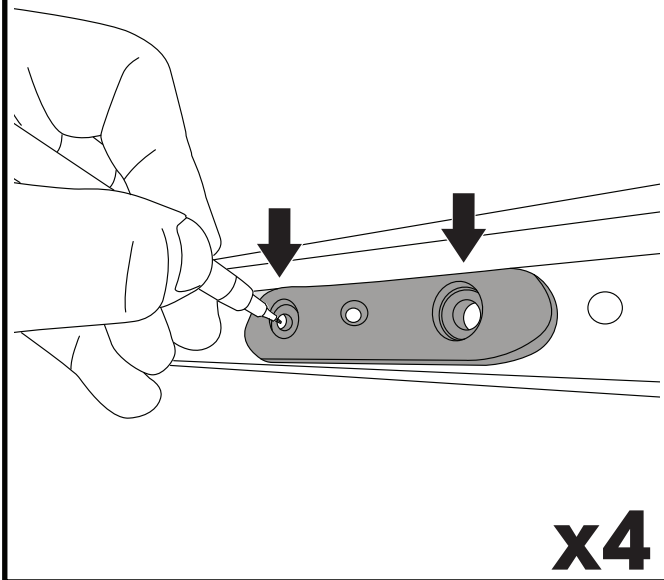
**1.****x4**

2.

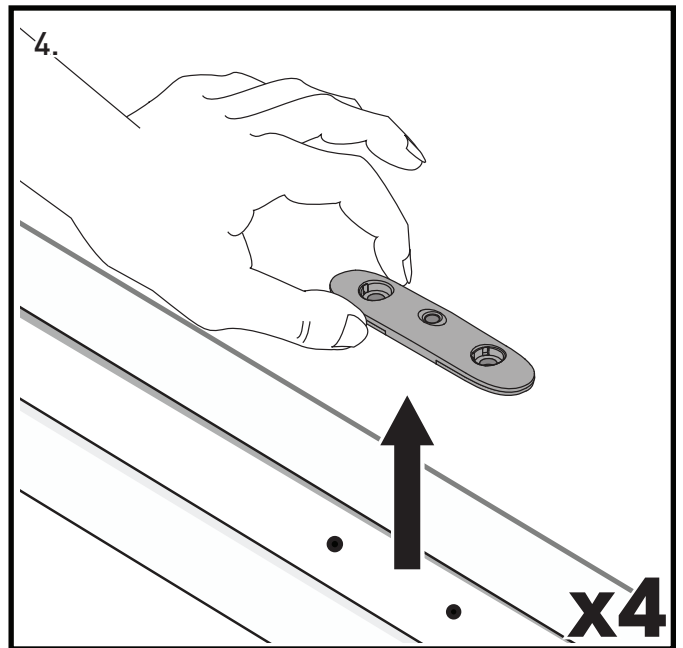
		A	B
Hyundai Ioniq 6, 4dr Sedan 23+	AU, EU, NZ	-A = 255 mm (10")	B = 430 mm (16 7/8")



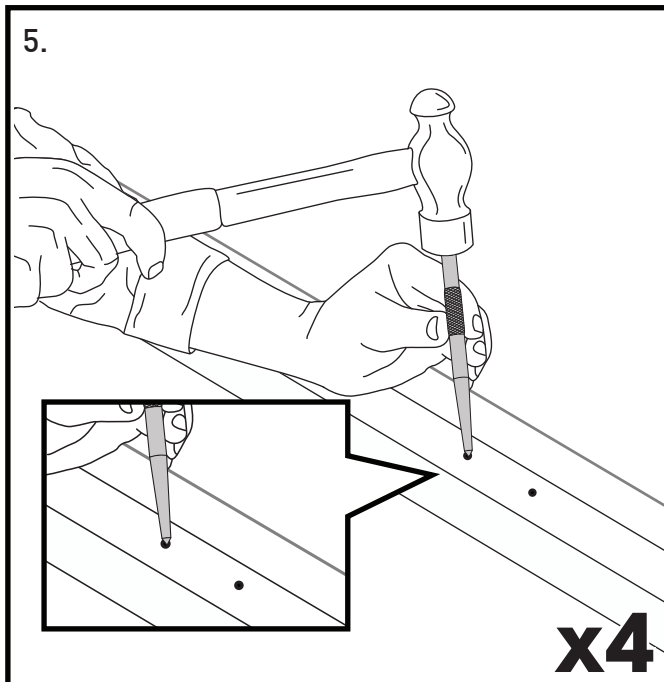
3.



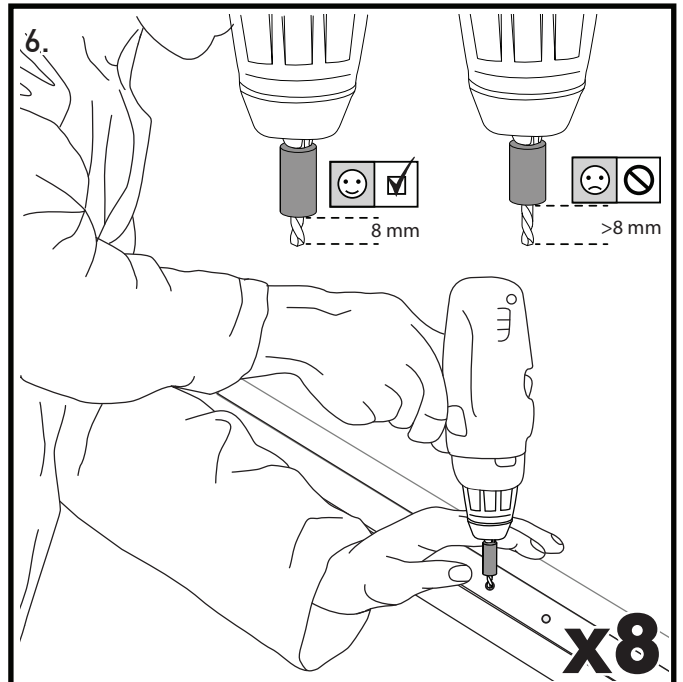
4.



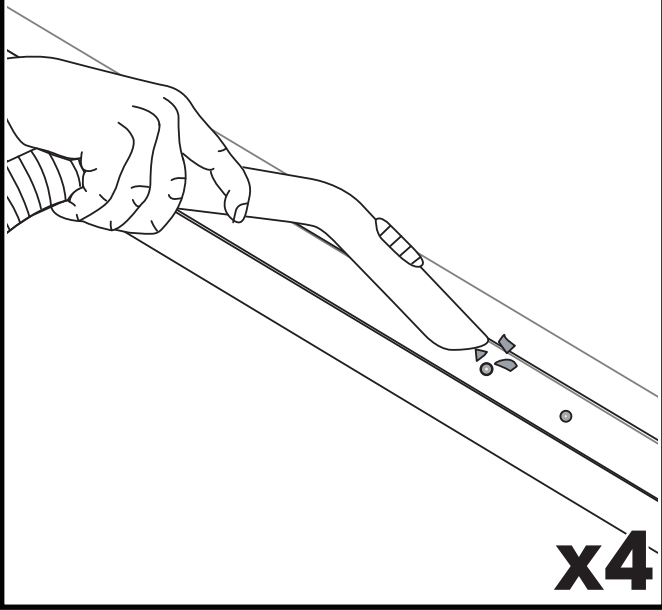
5.



6.

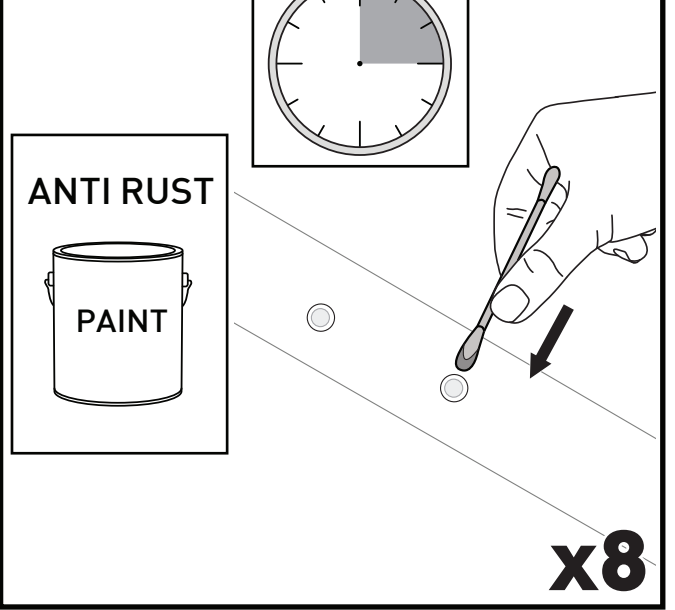


7.



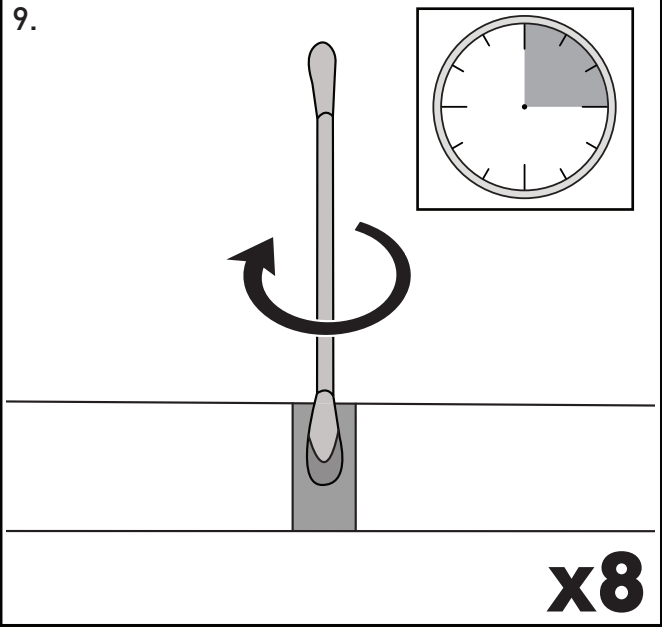
**x4**

8.



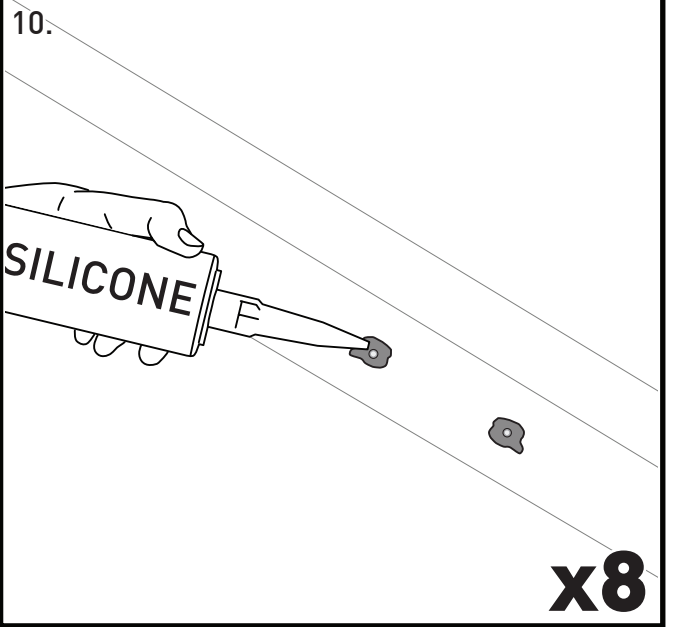
**x8**

9.



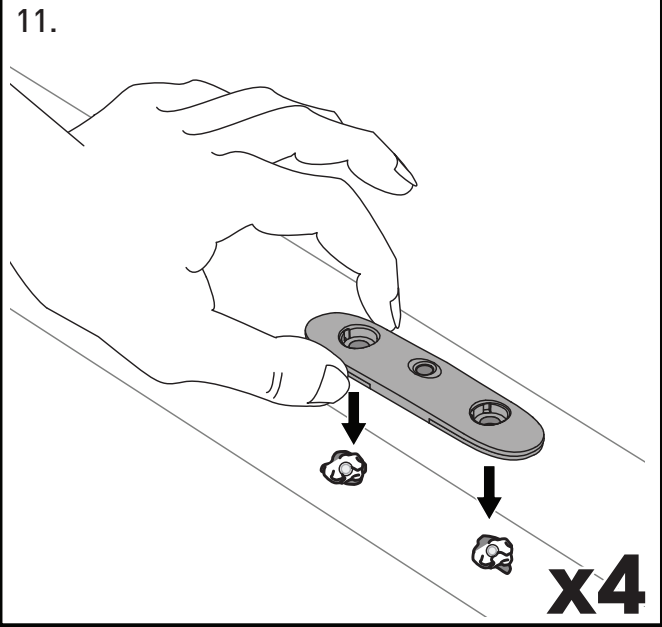
**x8**

10.



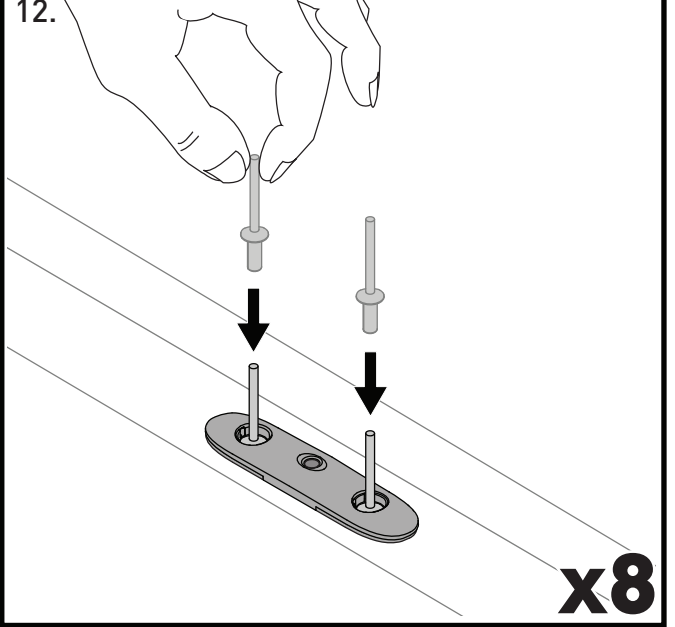
**x8**

11.

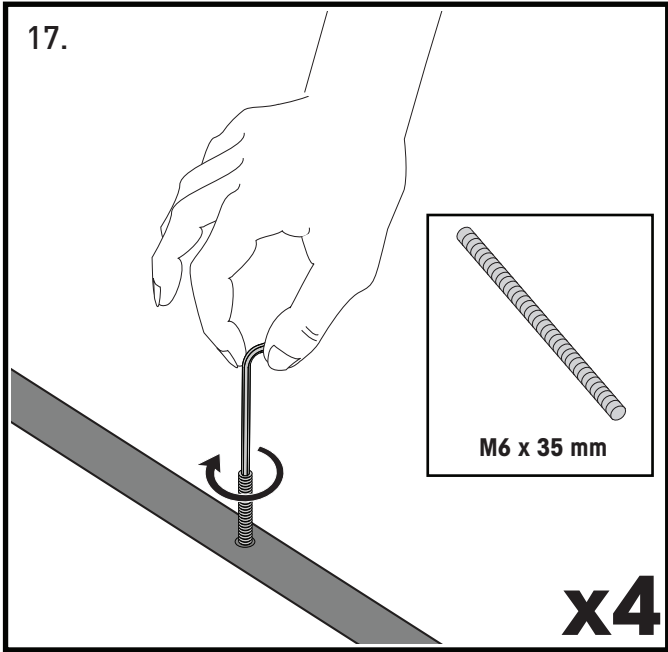
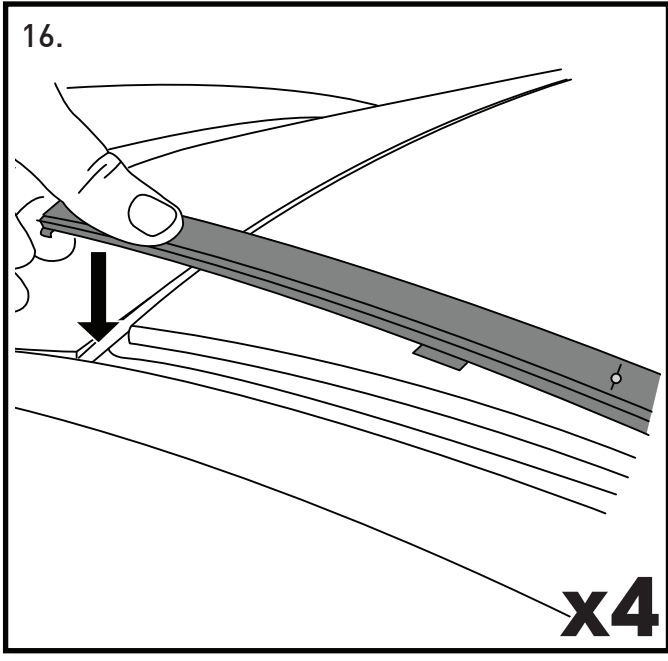
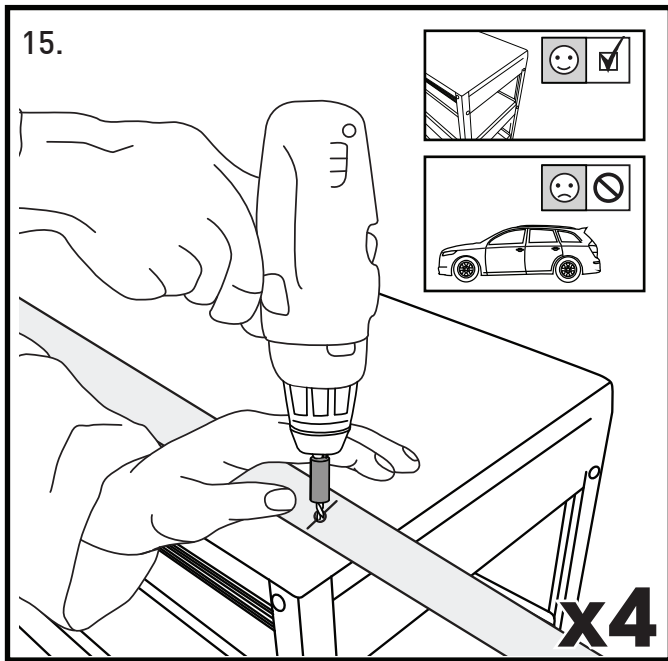
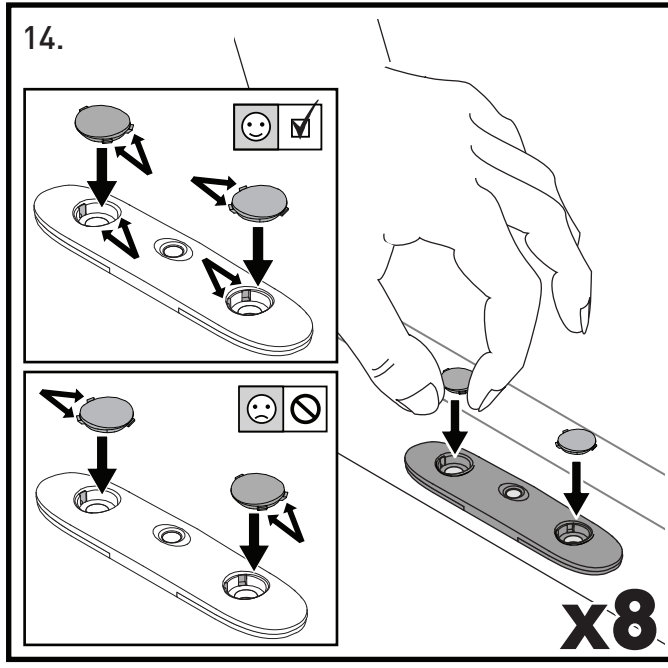
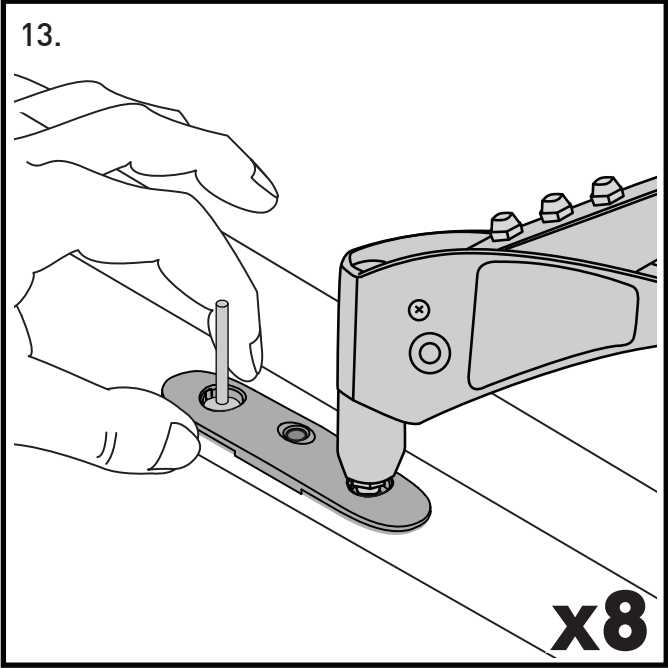


**x4**

12.

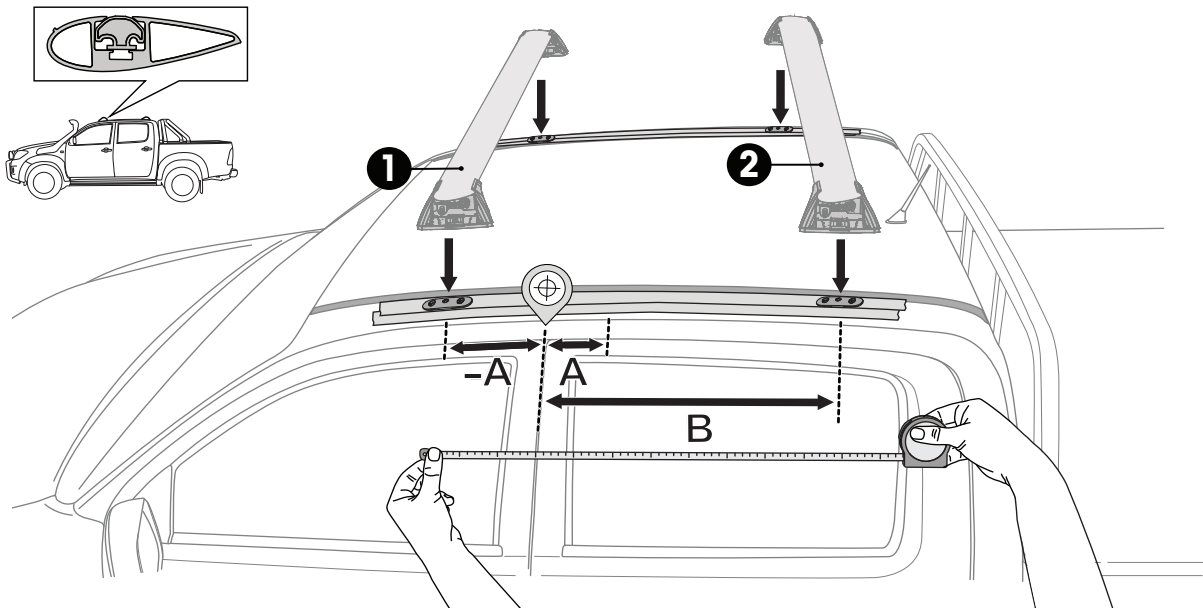
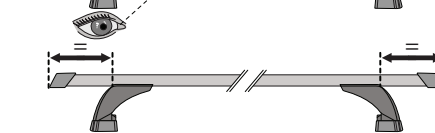
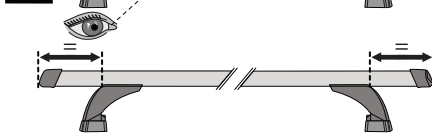
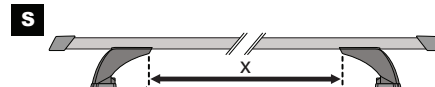
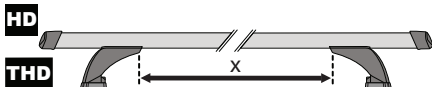
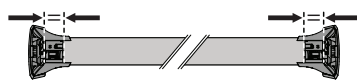
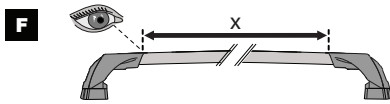
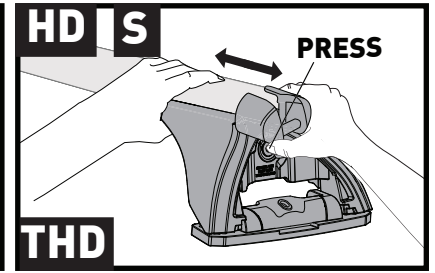
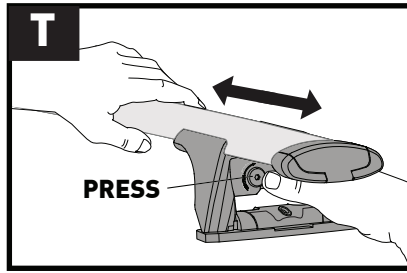
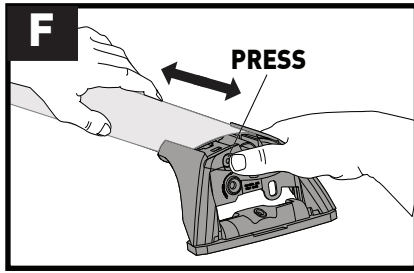




**x8**





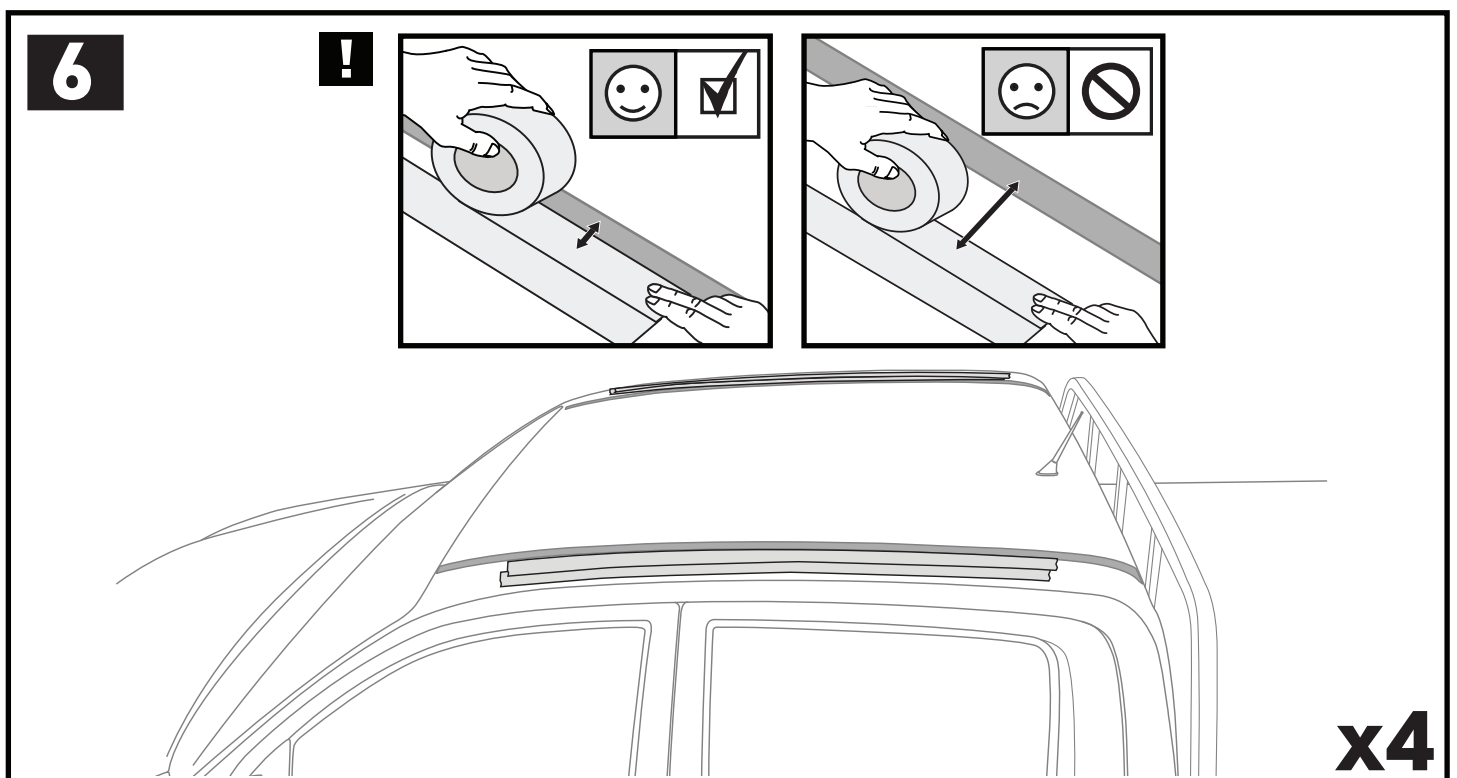


5



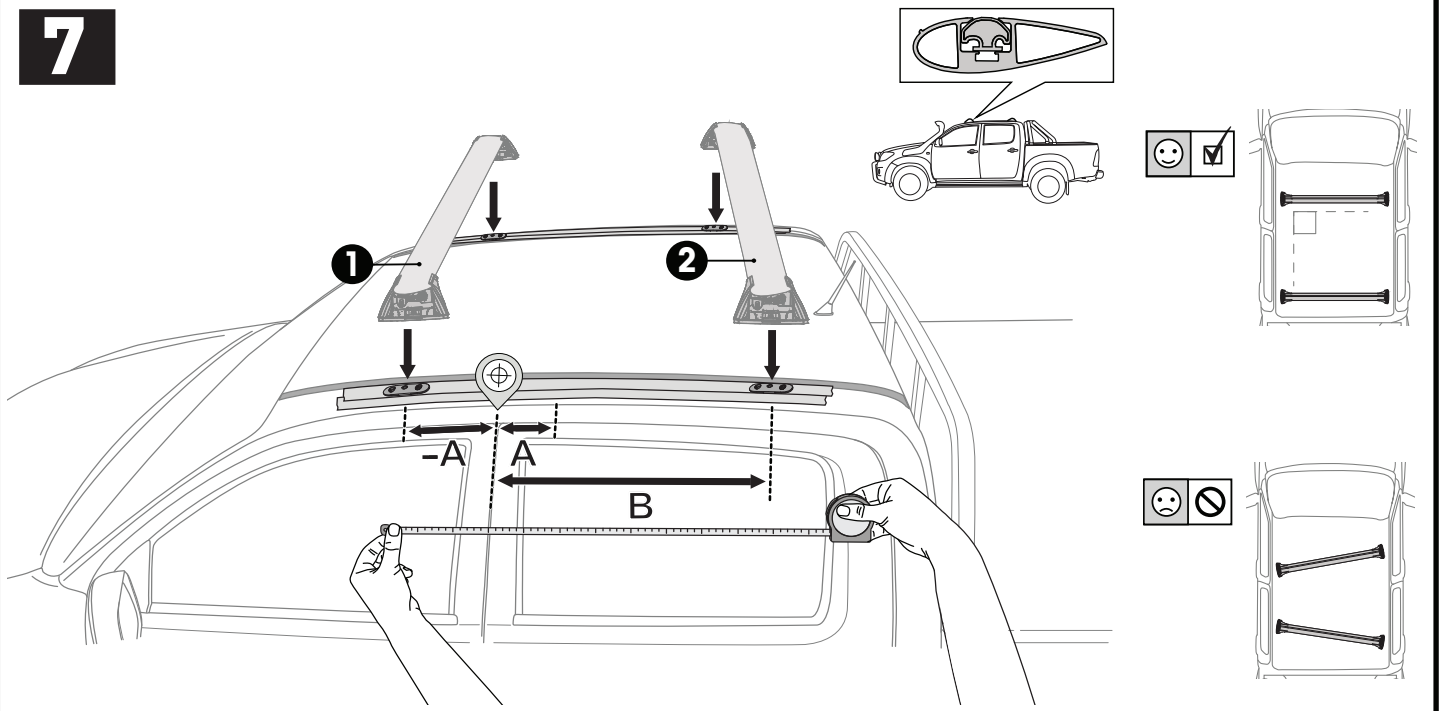
		1	2
Chevrolet Colorado Crew Cab, 4dr Ute 12-20	EU	X = 975 mm (38 3/8")	X = 960 mm (37 6/8")
Chevrolet Colorado Extended Cab, 4dr Ute 12+	EU	X = 985 mm (38 3/4")	X = 985 mm (38 3/4")
Chevrolet Colorado Single Cab, 2dr Ute 13-20	EU	X = 960 mm (37 6/8")	-
Dodge Ram 1500 Crew Cab DS, 4dr Ute 09-12	AU, NZ	X = 1085 mm (42 3/4")	X = 1085 mm (42 3/4")
Dodge Ram 1500 Crew Cab, 4dr Ute 09-12	EU	X = 1085 mm (42 3/4")	X = 1085 mm (42 3/4")
Dodge Ram 1500, Quad Cab 4dr Ute 09-12	AU, EU, NZ	X = 1085 mm (42 3/4")	X = 1085 mm (42 3/4")
Holden Colorado Single Cab, 2dr Ute 12-20	AU, NZ	X = 960 mm (37 6/8")	-
Holden Colorado Space Cab, 4dr Ute 12-20	AU, NZ	X = 985 mm (38 3/4")	X = 985 mm (38 3/4")
Isuzu D-Max SX Crew Cab, 4dr Ute 12-Aug 20	AU, NZ	X = 960 mm (37 6/8")	X = 960 mm (37 6/8")
Isuzu D-Max Extended Cab, 4dr Ute 12-20	EU	X = 960 mm (37 6/8")	X = 960 mm (37 6/8")



		1	2
Isuzu D-Max Single Cab, 2dr Ute 12-19	EU	X = 975 mm (38 <sup>3</sup> / <sub>8</sub> "	-
Isuzu D-Max SX/EX Single Cab, 2dr Ute 12-Aug 20	AU, NZ	X = 960 mm (37 <sup>6</sup> / <sub>8</sub> "	X = 960 mm (37 <sup>6</sup> / <sub>8</sub> "
Isuzu D-Max Single Cab, 2dr Ute 20+	EU	X = 975 mm (38 <sup>3</sup> / <sub>8</sub> "	-
Isuzu D-Max Single Cab, 2dr Ute Sep 20+	AU, NZ	X = 975 mm (38 <sup>3</sup> / <sub>8</sub> "	-
Isuzu D-Max LS-U/LS-M Space Cab, 4dr Ute 12-Aug 20	AU, NZ	X = 960 mm (37 <sup>6</sup> / <sub>8</sub> "	X = 960 mm (37 <sup>6</sup> / <sub>8</sub> "
Isuzu D-Max SX Space Cab, 4dr Ute May 12-Aug 20	AU, NZ	X = 960 mm (37 <sup>6</sup> / <sub>8</sub> "	X = 960 mm (37 <sup>6</sup> / <sub>8</sub> "
Isuzu D-Max Space Cab, 4dr Ute 20+	EU	X = 980 mm (38 <sup>5</sup> / <sub>8</sub> "	X = 975 mm (38 <sup>3</sup> / <sub>8</sub> "
Isuzu D-Max Space Cab, 4dr Ute Sep 20+	AU, NZ	X = 980 mm (38 <sup>5</sup> / <sub>8</sub> "	X = 975 mm (38 <sup>3</sup> / <sub>8</sub> "
Isuzu MU-X LS-M, 5dr SUV 21+	EU	X = 970 mm (38 <sup>1</sup> / <sub>4</sub> "	X = 960 mm (37 <sup>6</sup> / <sub>8</sub> "
Isuzu MU-X LS-M, 5dr SUV Aug 21+	AU, NZ	X = 970 mm (38 <sup>1</sup> / <sub>4</sub> "	X = 960 mm (37 <sup>6</sup> / <sub>8</sub> "
LDV Deliver 9, 4dr Van Oct 20+	AU, NZ	X = 1425 mm (56 <sup>1</sup> / <sub>8</sub> "	X = 1430 mm (56 <sup>1</sup> / <sub>4</sub> "
LDV Maxus T90 EV, 4dr Ute 22+	EU	X = 985 mm (38 <sup>3</sup> / <sub>4</sub> "	X = 985 mm (38 <sup>3</sup> / <sub>4</sub> "
LDV T60/60 Max/eT60 Double Cab, 4dr Ute 17+	AU, NZ	X = 985 mm (38 <sup>3</sup> / <sub>4</sub> "	X = 985 mm (38 <sup>3</sup> / <sub>4</sub> "
LDV T60/60 Max/eT60 Single Cab, 4dr Ute Oct 17+	AU, NZ	X = 980 mm (38 <sup>5</sup> / <sub>8</sub> "	-
Mahindra Genio, 4dr Ute 14+	NZ	X = 1083 mm (42 <sup>5</sup> / <sub>8</sub> "	X = 1045 mm (41 <sup>1</sup> / <sub>8</sub> "
Mahindra Genio, 4dr Ute 16+	AU	X = 1083 mm (42 <sup>5</sup> / <sub>8</sub> "	X = 1045 mm (41 <sup>1</sup> / <sub>8</sub> "
Mazda BT-50 Freestyle Cab, 4dr Ute Oct 20+	AU, NZ	X = 970 mm (38 <sup>1</sup> / <sub>4</sub> "	X = 970 mm (38 <sup>1</sup> / <sub>4</sub> "
Mazda BT-50 Single Cab, 2dr Ute Oct 20+	AU, NZ	X = 965 mm (38")	-
Mitsubishi L200 Single Cab, 2dr Ute 15-23	EU	X = 920 mm (36 <sup>1</sup> / <sub>4</sub> "	-
Mitsubishi Triton Single Cab, 2dr Ute May 15-Jan 24	AU, NZ	X = 950 mm (37 <sup>3</sup> / <sub>8</sub> "	-
Mitsubishi Triton Single Cab, 2dr Ute 24+	EU	X = 1010 mm (39 <sup>3</sup> / <sub>4</sub> "	-
Mitsubishi Triton Single Cab, 2dr Ute Feb 24+	AU, NZ	X = 1010 mm (39 <sup>3</sup> / <sub>4</sub> "	-
RAM 1500 Crew Cab, 4dr Ute 13-18	EU	X = 1085 mm (42 <sup>3</sup> / <sub>4</sub> "	X = 1085 mm (42 <sup>3</sup> / <sub>4</sub> "
RAM 1500 Crew Cab/Classic Cab, 4dr Ute 13-18	AU, NZ	X = 1085 mm (42 <sup>3</sup> / <sub>4</sub> "	X = 1085 mm (42 <sup>3</sup> / <sub>4</sub> "
RAM 1500 Quad Cab, 4dr Ute 13+	AU, EU, NZ	X = 1085 mm (42 <sup>3</sup> / <sub>4</sub> "	X = 1085 mm (42 <sup>3</sup> / <sub>4</sub> "
RAM 1500, 4dr Ute 19+	AU	X = 1040 mm (41")	X = 1045 mm (41 <sup>1</sup> / <sub>8</sub> "
RAM 1500, 4dr Ute 20+	EU, NZ	X = 1040 mm (41")	X = 1045 mm (41 <sup>1</sup> / <sub>8</sub> "
RAM 2500 DJ, 4dr Ute 20+	AU, EU	X = 1075 mm (42 <sup>3</sup> / <sub>8</sub> "	X = 1075 mm (42 <sup>3</sup> / <sub>8</sub> "





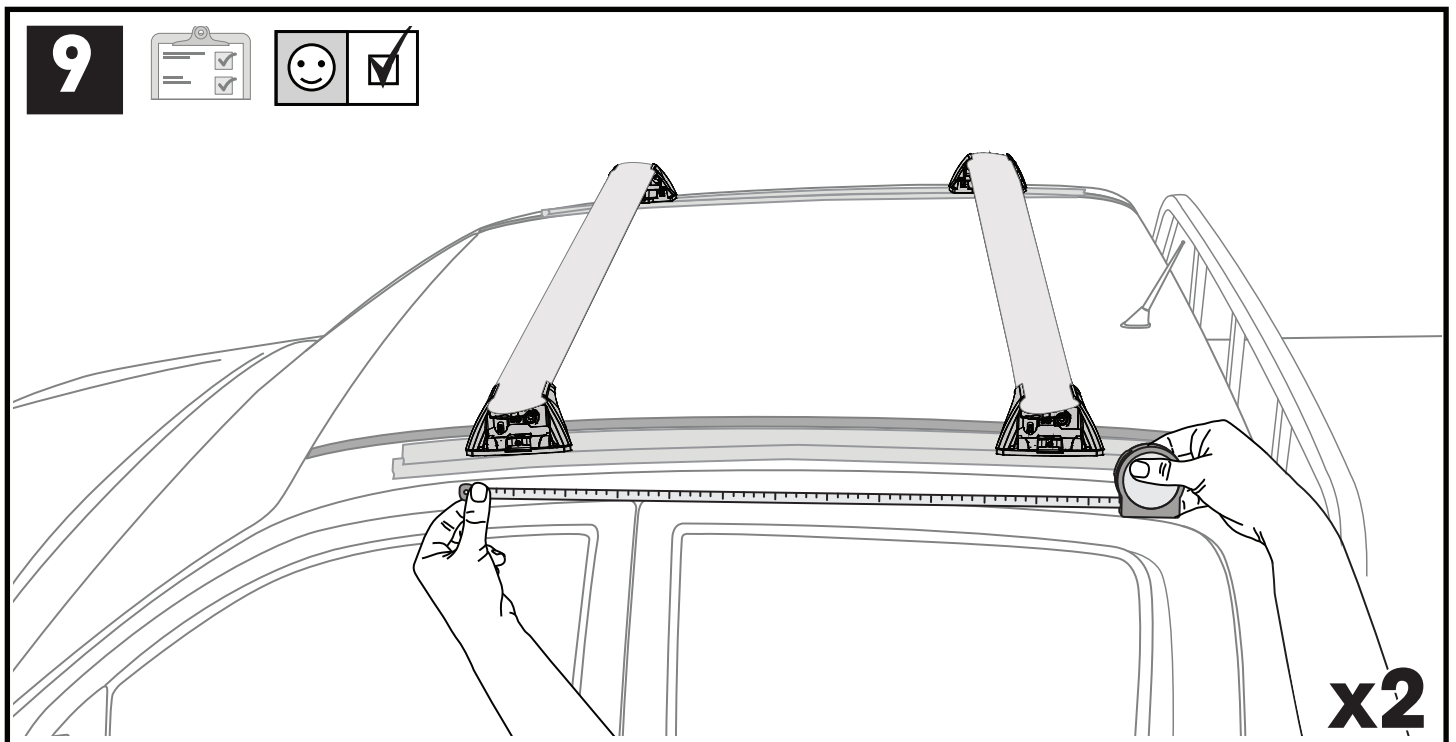
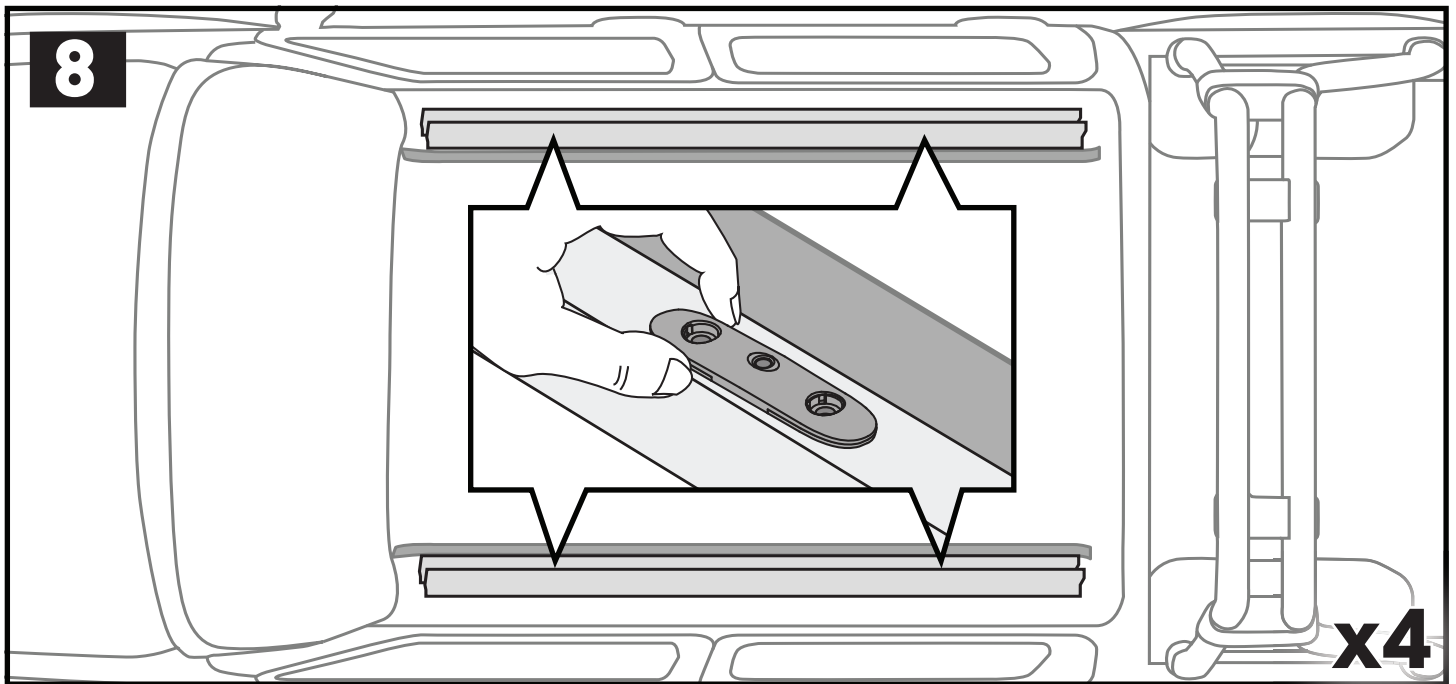
**x4**

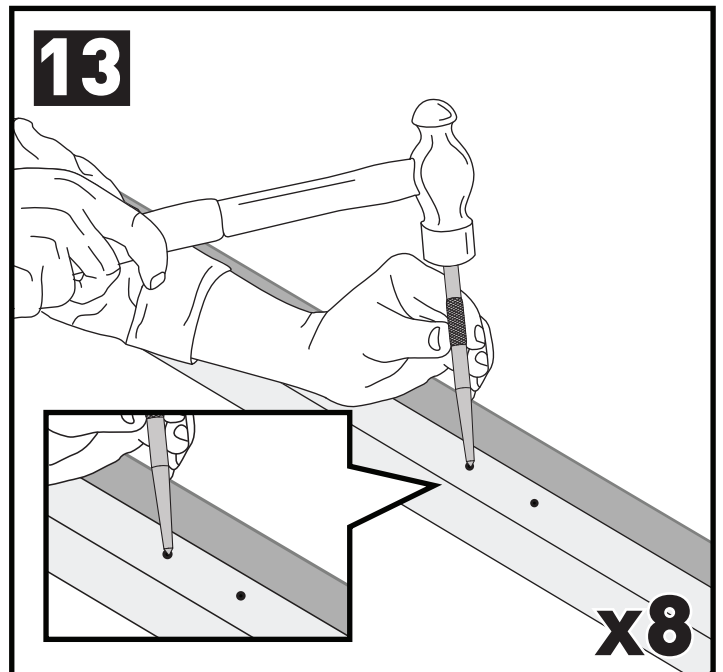
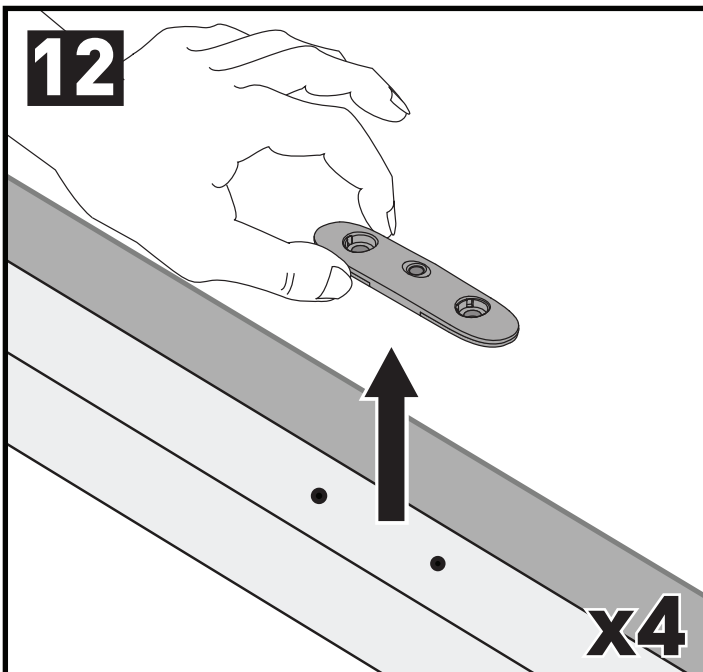
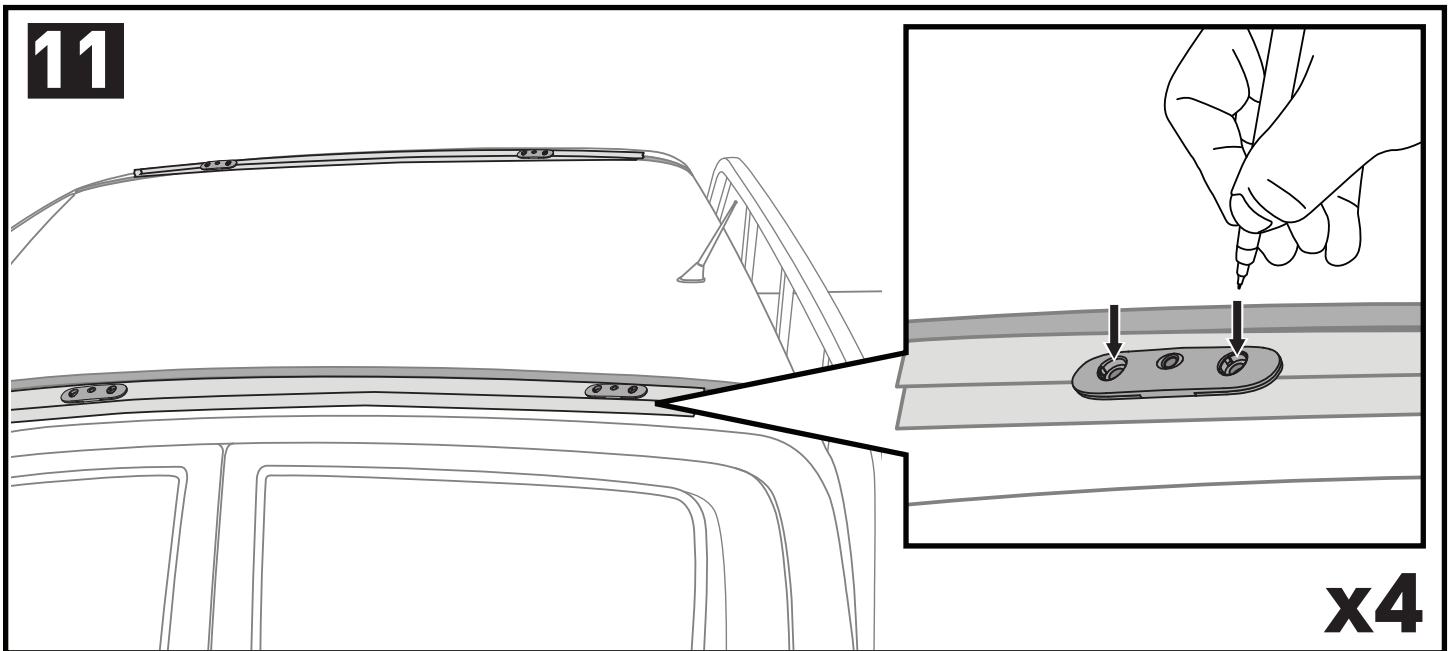
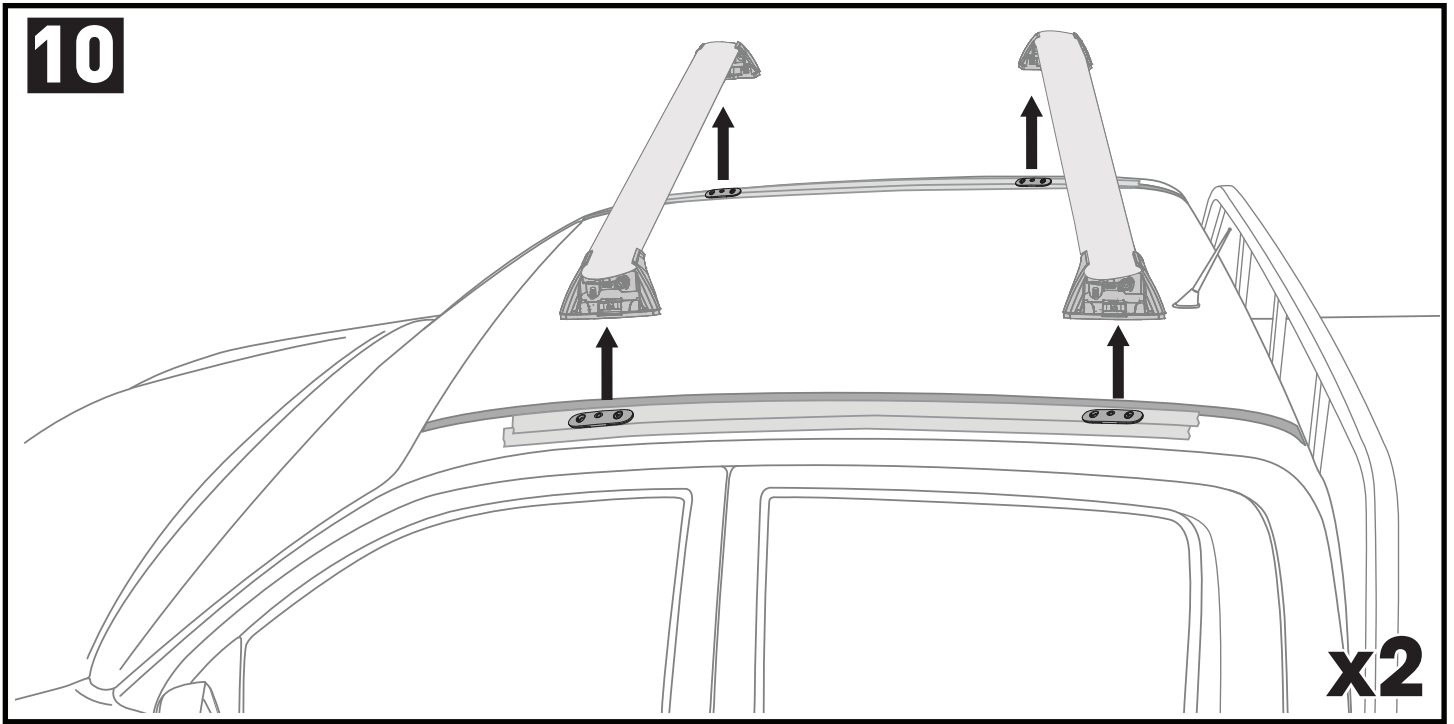
# 7

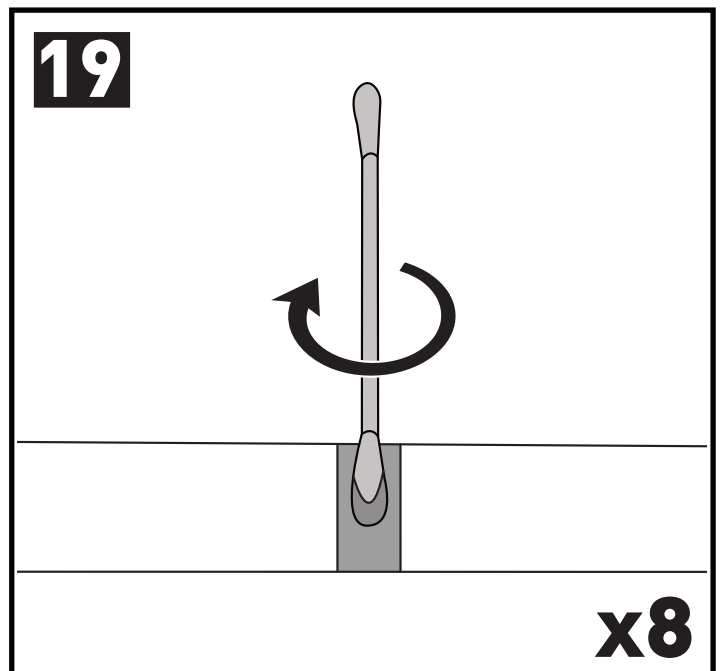
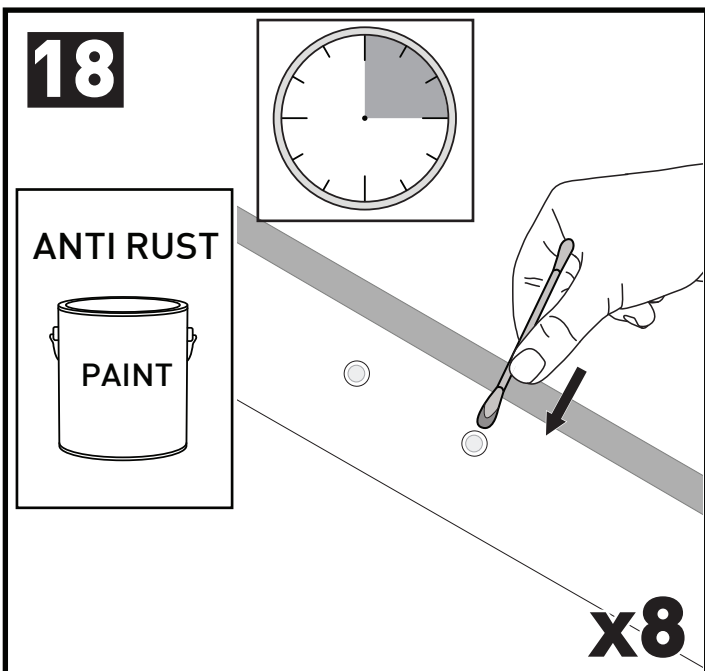
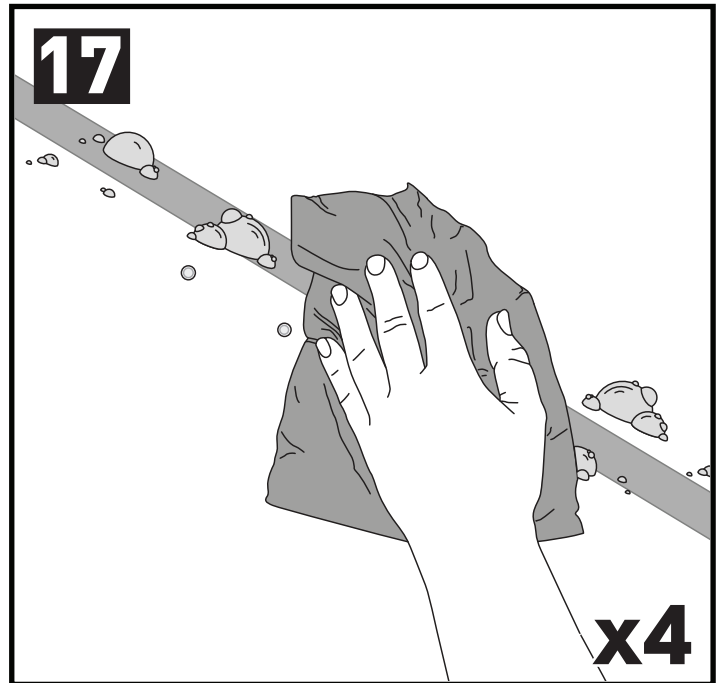
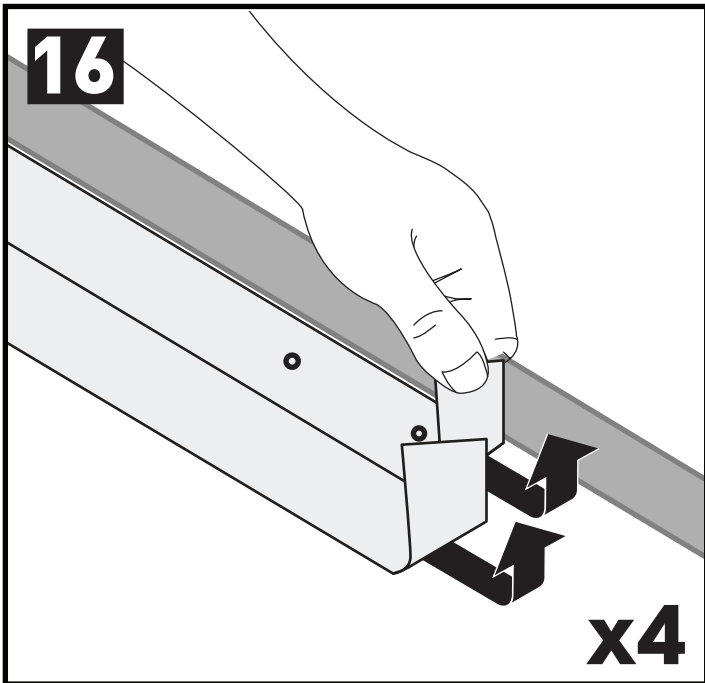
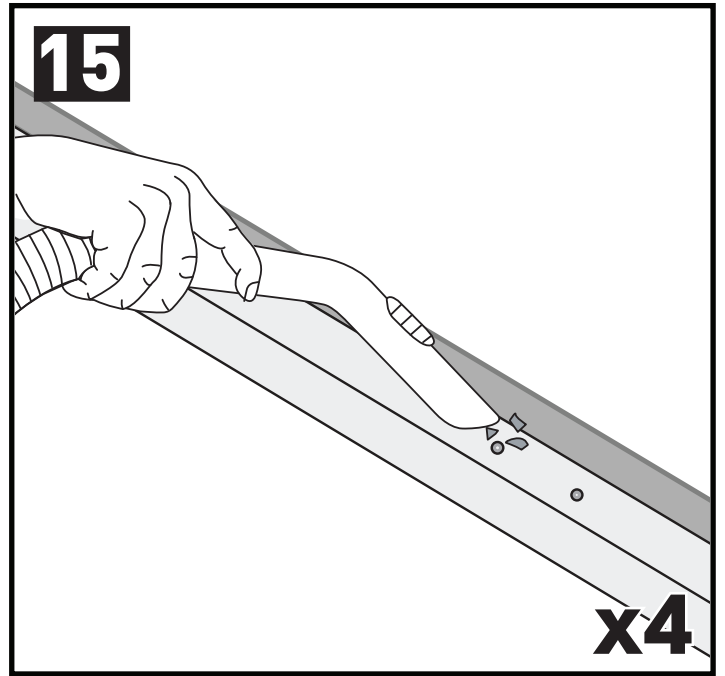
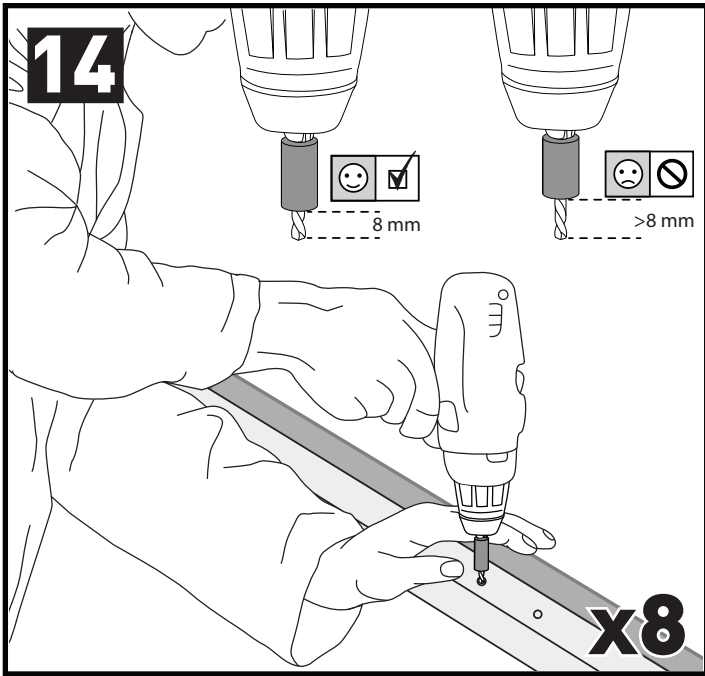


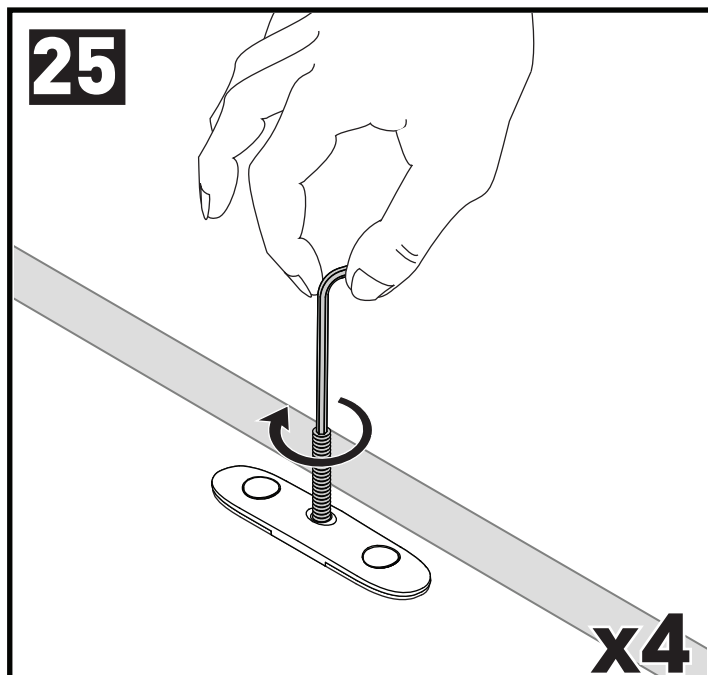
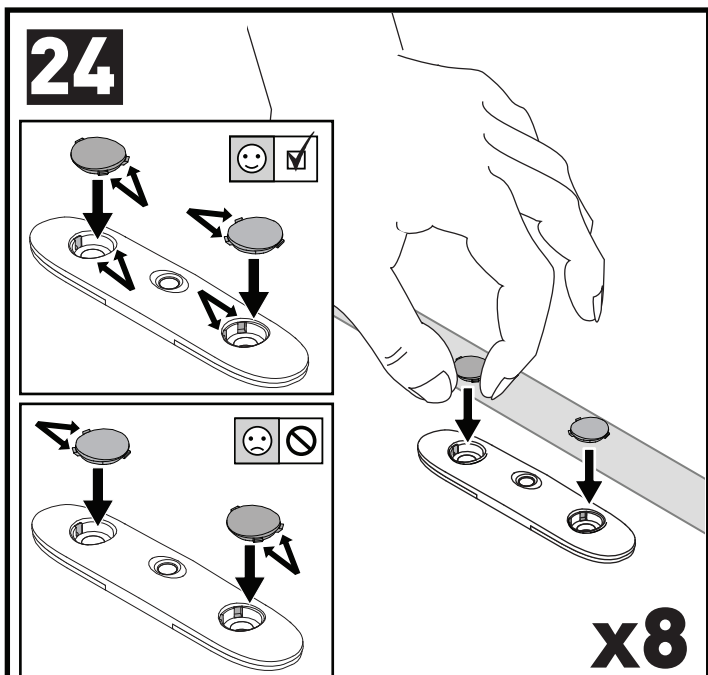
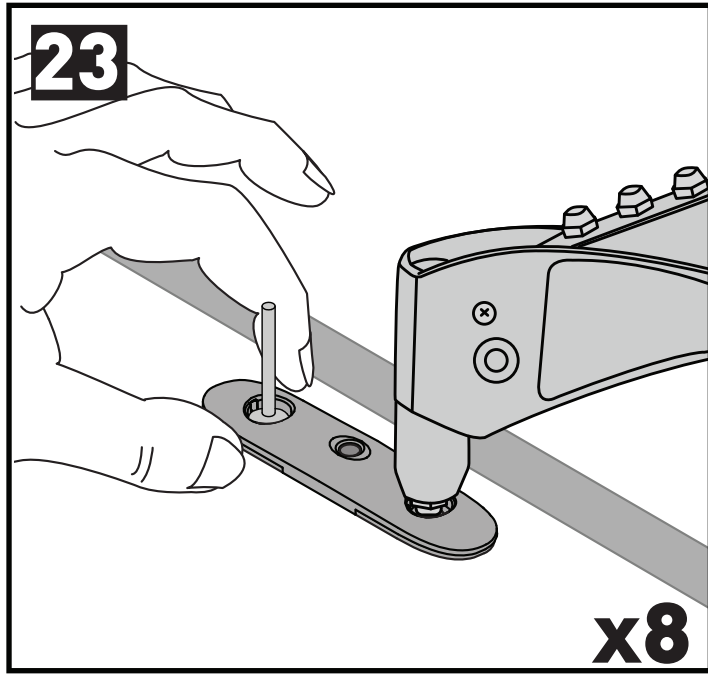
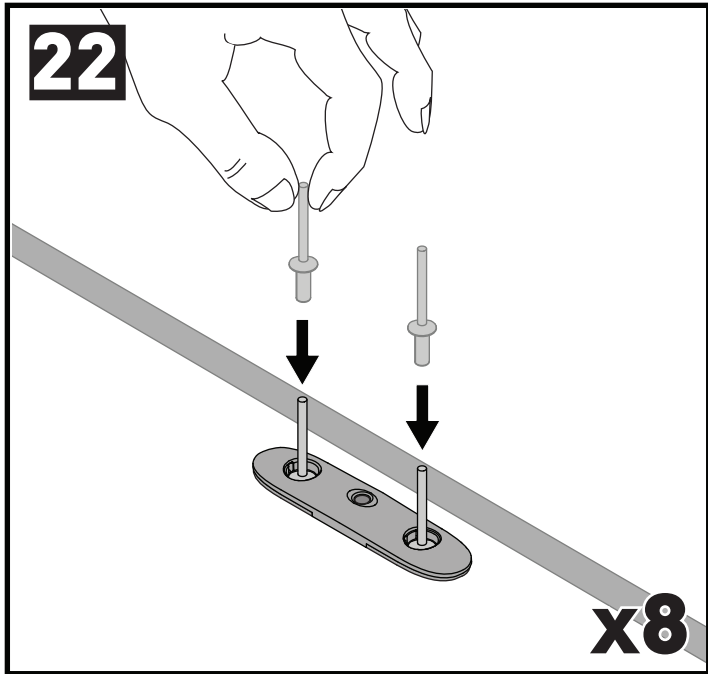
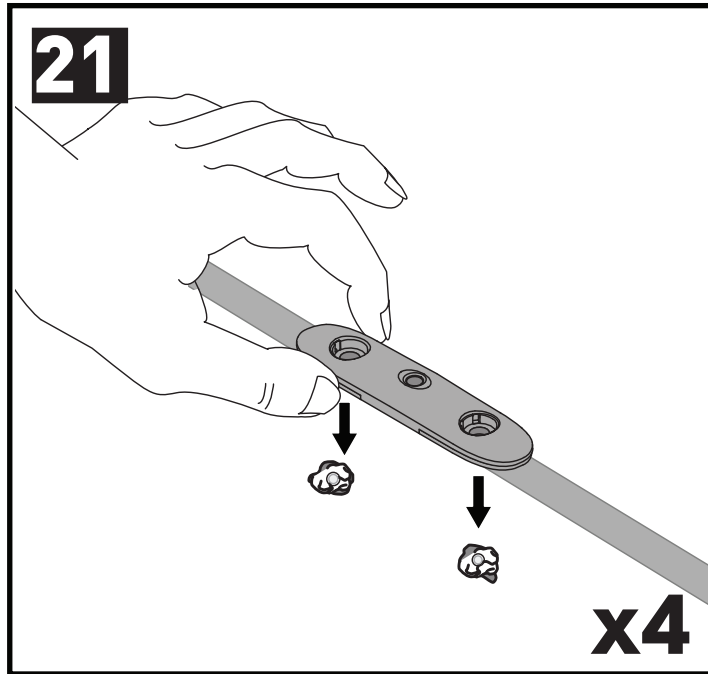
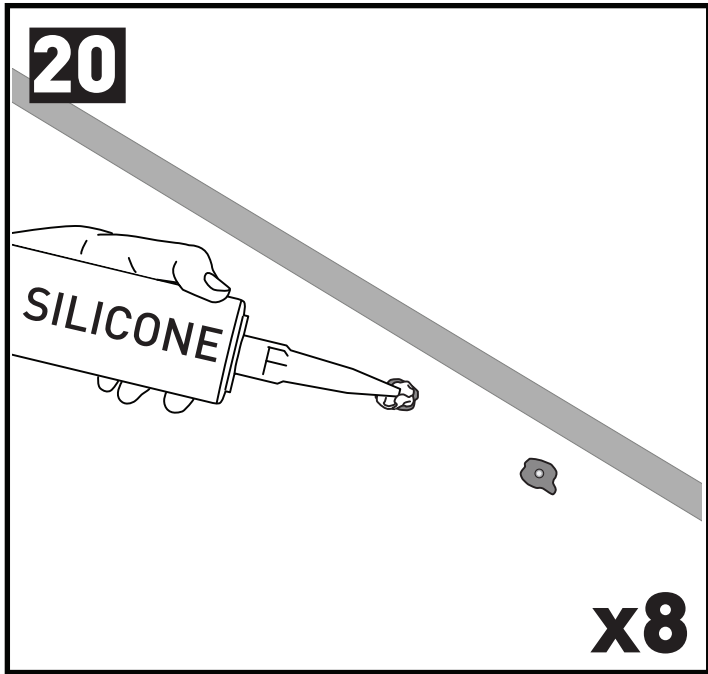
		A	B
Chevrolet Colorado Crew Cab, 4dr Ute 12-20	EU	-A = 200 mm (27 1/2")	B = 500 mm (19 5/8")
Chevrolet Colorado Extended Cab, 4dr Ute 12+	EU	-A = 280 mm (11")	B = 400 mm (15 3/4")
Chevrolet Colorado Single Cab, 2dr Ute 13-20	EU	-A = 200 mm (27 1/2")	-
Dodge Ram 1500 Crew Cab DS, 4dr Ute 09-12	AU, NZ	-A = 150 mm (5 7/8")	B = 600 mm (23 5/8")
Dodge Ram 1500 Crew Cab, 4dr Ute 09-12	EU	-A = 150 mm (5 7/8")	B = 600 mm (23 5/8")
Dodge Ram 1500, Quad Cab 4dr Ute 09-12	AU, EU, NZ	-A = 150 mm (5 7/8")	B = 500 mm (19 5/8")
Holden Colorado Single Cab, 2dr Ute 12-20	AU, NZ	-A = 200 mm (27 1/2")	-
Holden Colorado Space Cab, 4dr Ute 12-20	AU, NZ	-A = 280 mm (11")	B = 400 mm (15 3/4")
Isuzu D-Max SX Crew Cab, 4dr Ute 12-Aug 20	AU, NZ	-A = 200 mm (27 1/2")	B = 500 mm (19 5/8")
Isuzu D-Max Extended Cab, 4dr Ute 12-20	EU	-A = 300 mm (11 3/4")	B = 345 mm (13 5/8")
Isuzu D-Max Single Cab, 2dr Ute 12-19	EU	-A = 200 mm (27 1/2")	-
Isuzu D-Max SX/EX Single Cab, 2dr Ute 12-Aug 20	AU, NZ	-A = 200 mm (27 1/2")	-
Isuzu D-Max Single Cab, 2dr Ute 20+	EU	-A = 200 mm (27 1/2")	-
Isuzu D-Max Single Cab, 2dr Ute Sep 20+	AU, NZ	-A = 200 mm (27 1/2")	-
Isuzu D-Max LS-U/LS-M Space Cab, 4dr Ute 12-Aug 20	AU, NZ	-A = 300 mm (11 3/4")	B = 345 mm (13 5/8")
Isuzu D-Max SX Space Cab, 4dr Ute May 12-Aug 20	AU, NZ	-A = 280 mm (11")	B = 400 mm (15 3/4")
Isuzu D-Max Space Cab, 4dr Ute 20+	EU	-A = 300 mm (11 3/4")	B = 345 mm (13 5/8")
Isuzu D-Max Space Cab, 4dr Ute Sep 20+	AU, NZ	-A = 300 mm (11 3/4")	B = 345 mm (13 5/8")
Isuzu MU-X LS-M, 5dr SUV 21+	EU	-A = 100 mm (3 7/8")	B = 550 mm (21 5/8")
Isuzu MU-X LS-M, 5dr SUV Aug 21+	AU, NZ	-A = 100 mm (3 7/8")	B = 550 mm (21 5/8")
LDV Deliver 9, 4dr Van Oct 20+	AU, NZ	A = 840 mm (33 1/8")	B = 1835 mm (72 1/4")
LDV Maxus T90 EV, 4dr Ute 22+	EU	-A = 120 mm (4 3/4")	B = 620 mm (24 3/8")
LDV T60/60 Max/eT60 Double Cab, 4dr Ute 17+	AU, NZ	-A = 120 mm (4 3/4")	B = 620 mm (24 3/8")
LDV T60/60 Max/eT60 Single Cab, 4dr Ute Oct 17+	AU, NZ	-A = 260 mm (10 1/4")	-
Mahindra Genio, 4dr Ute 14+	NZ	-A = 40 mm (1 5/8")	B = 660 mm (26")
Mahindra Genio, 4dr Ute 16+	AU	-A = 40 mm (1 5/8")	B = 660 mm (26")
Mazda BT-50 Freestyle Cab, 4dr Ute Oct 20+	AU, NZ	-A = 330 mm (13")	B = 330 mm (13")
Mazda BT-50 Single Cab, 2dr Ute Oct 20+	AU, NZ	-A = 230 mm (9")	-
Mitsubishi L200 Single Cab, 2dr Ute 15-23	EU	-A = 135 mm (5 3/8")	-
Mitsubishi Triton Single Cab, 2dr Ute May 15-Jan 24	AU, NZ	-A = 135 mm (5 3/8")	-

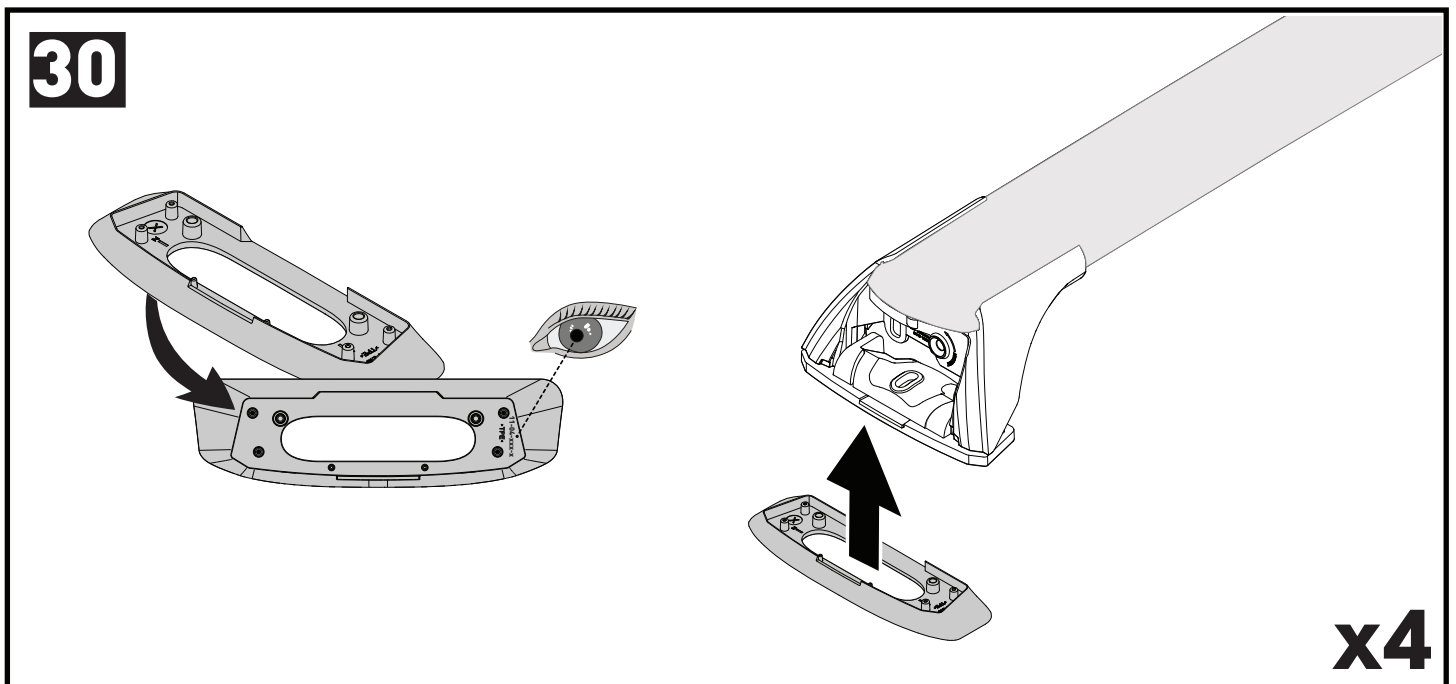
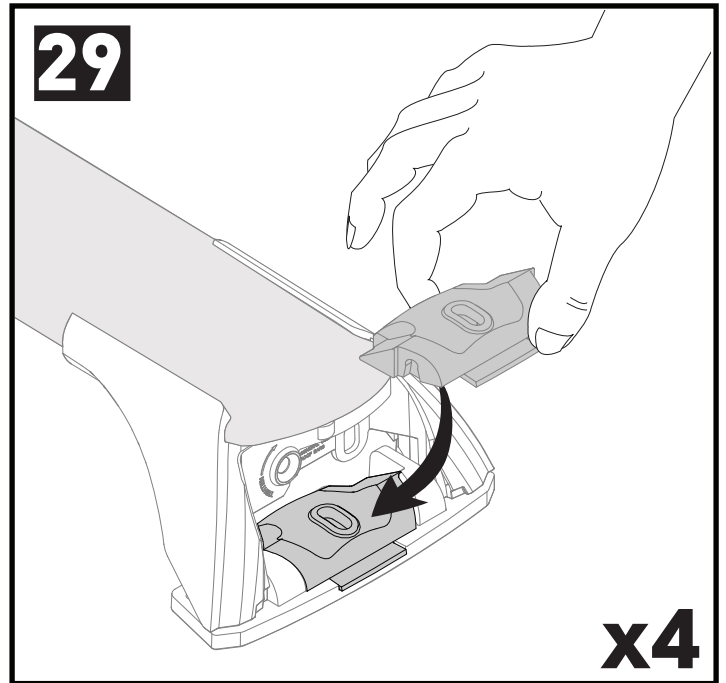
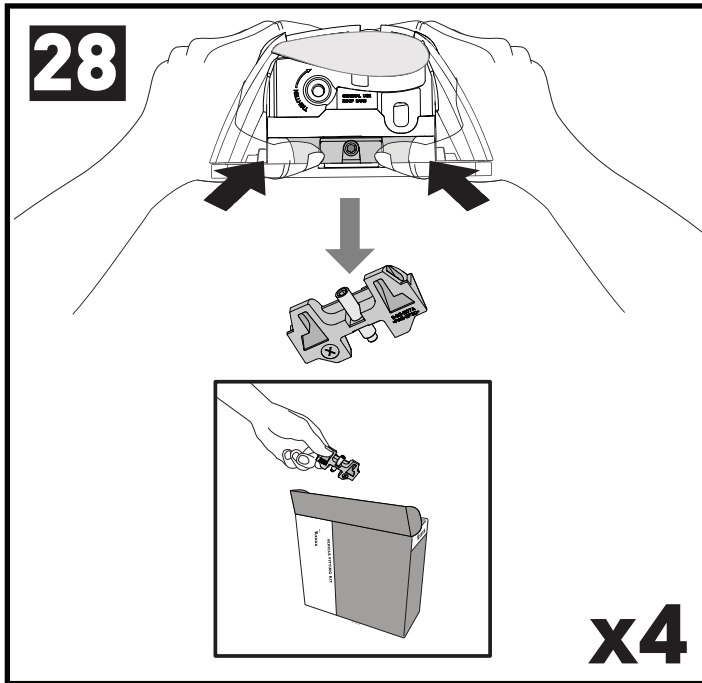
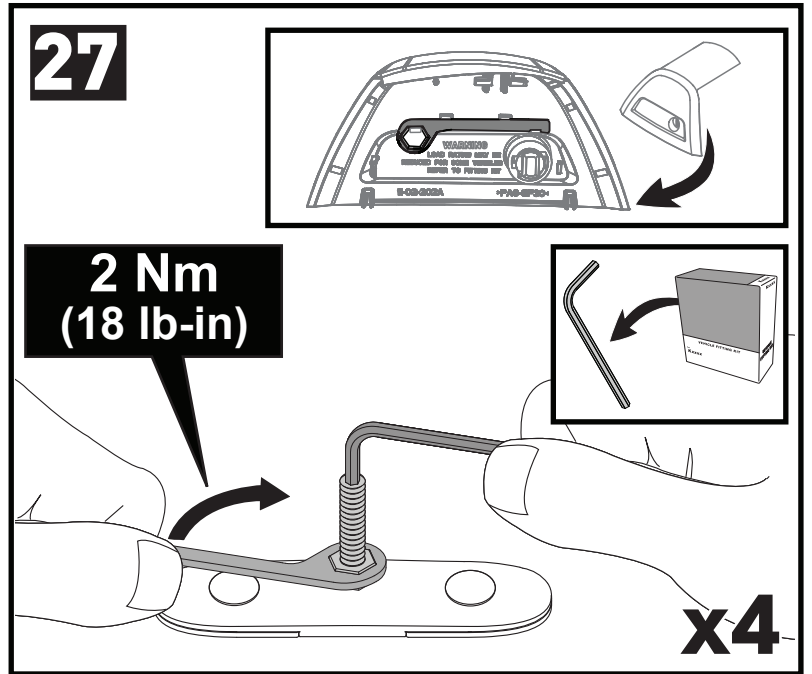
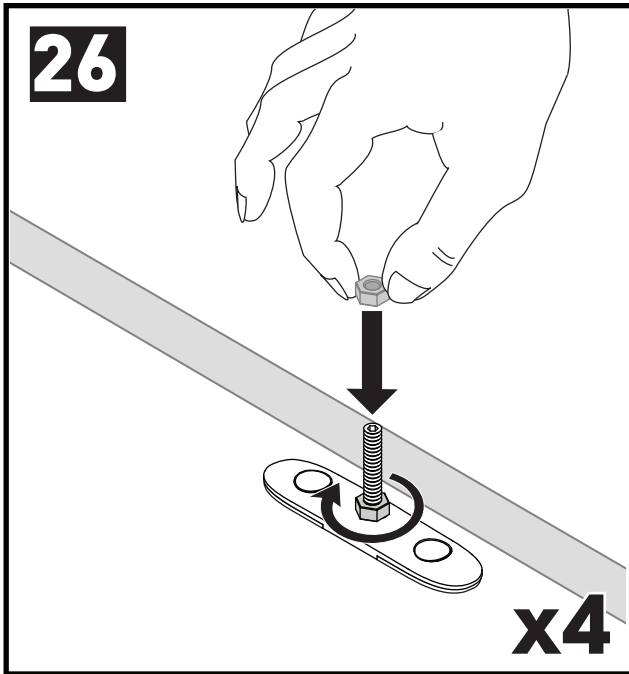
		A	B
Mitsubishi Triton Single Cab, 2dr Ute 24+	EU	-A = 100 mm (3 7/8")	-
Mitsubishi Triton Single Cab, 2dr Ute Feb 24+	AU, NZ	-A = 100 mm (3 7/8")	-
RAM 1500 Crew Cab, 4dr Ute 13-18	EU	-A = 150 mm (5 7/8")	B = 600 mm (23 5/8")
RAM 1500 Crew Cab/Classic Cab, 4dr Ute 13-18	AU, NZ	-A = 150 mm (5 7/8")	B = 600 mm (23 5/8")
RAM 1500 Quad Cab, 4dr Ute 13+	AU, EU, NZ	-A = 150 mm (5 7/8")	B = 500 mm (19 5/8")
RAM 1500, 4dr Ute 19+	AU	-A = 150 mm (5 7/8")	B = 600 mm (23 5/8")
RAM 1500, 4dr Ute 20+	EU, NZ	-A = 150 mm (5 7/8")	B = 600 mm (23 5/8")
RAM 2500 DJ, 4dr Ute 20+	AU, EU	-A = 150 mm (5 7/8")	B = 600 mm (23 5/8")





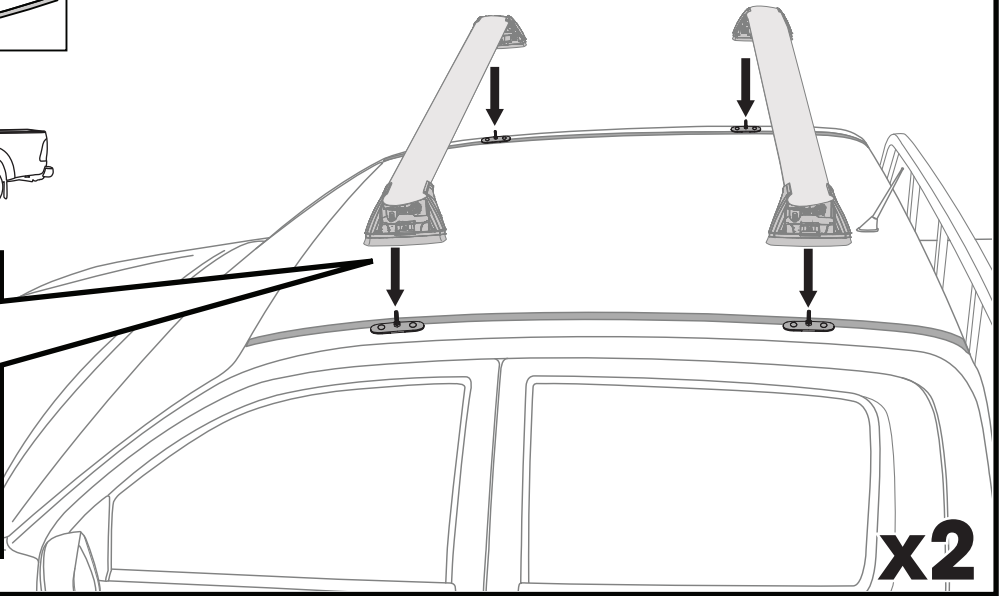
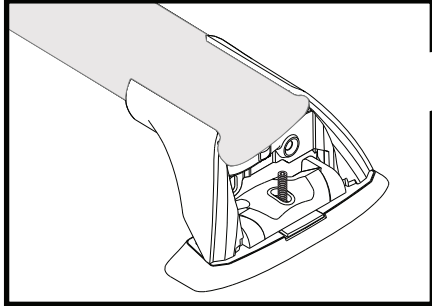
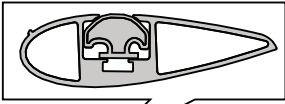




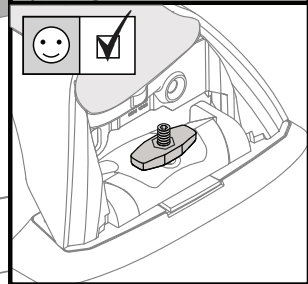
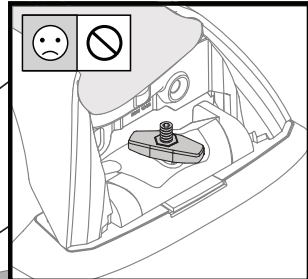
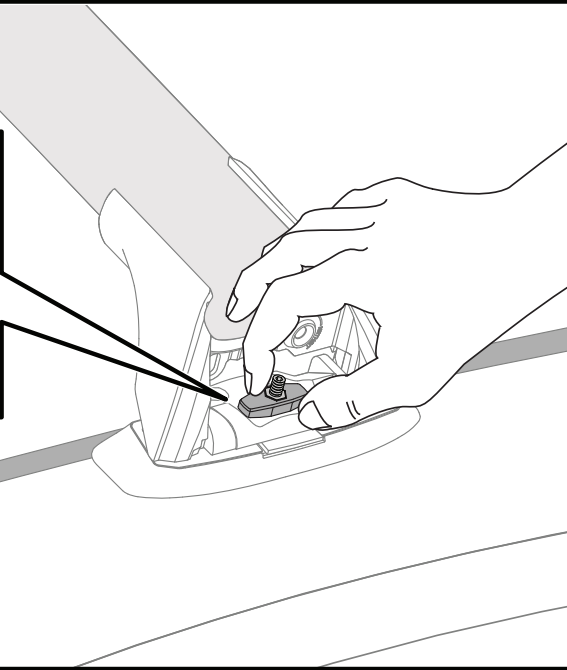
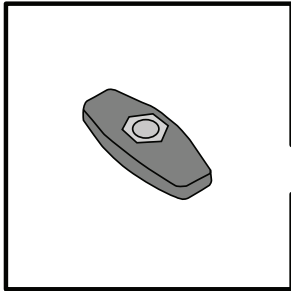




**31**



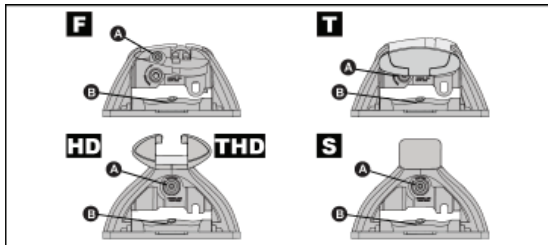
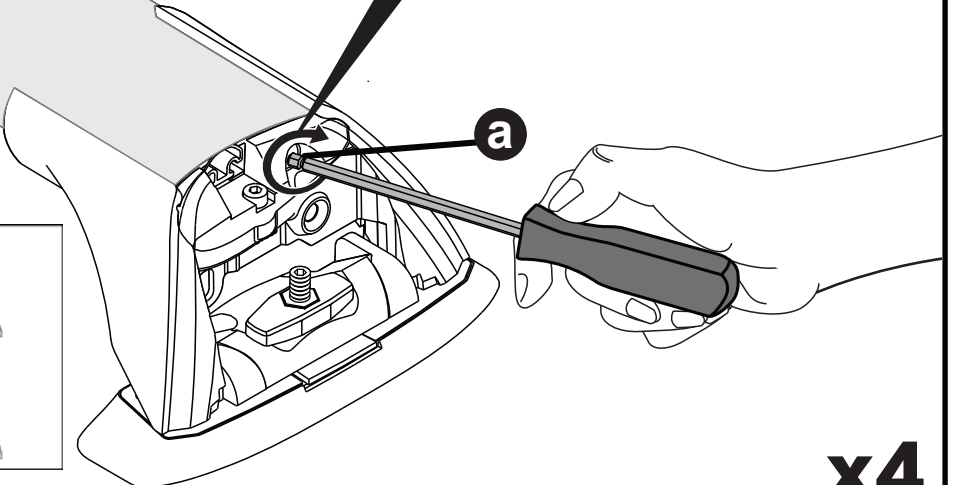
**32**



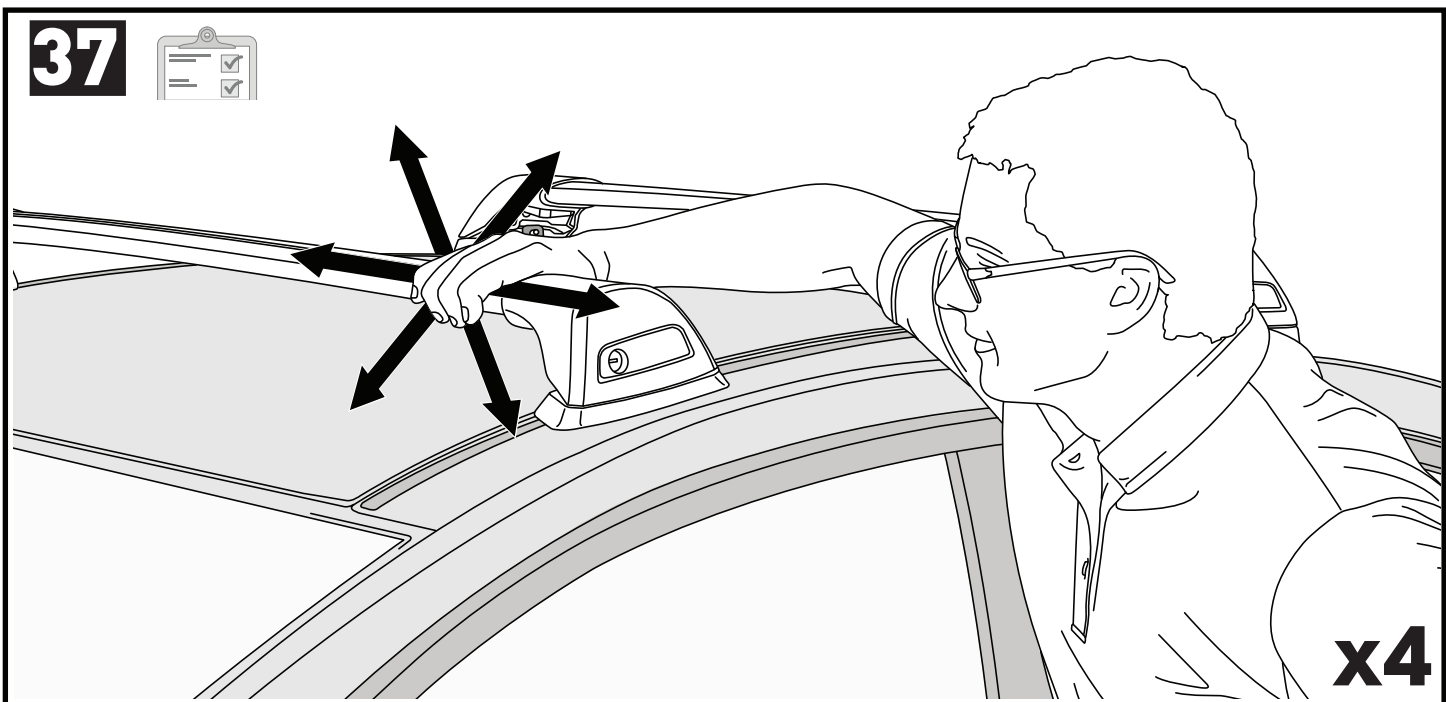
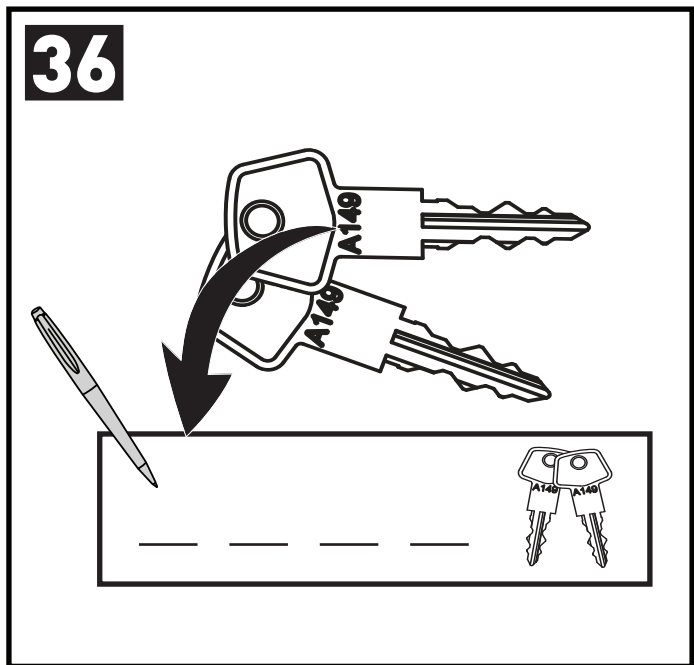
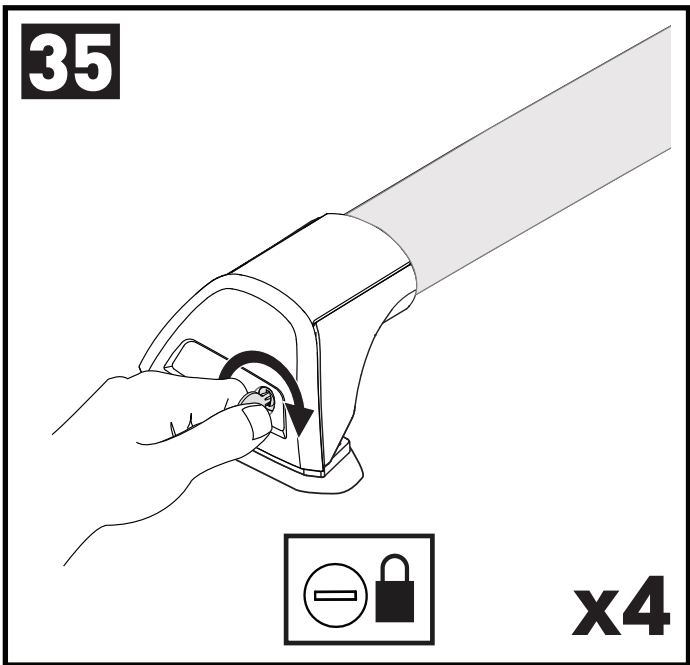
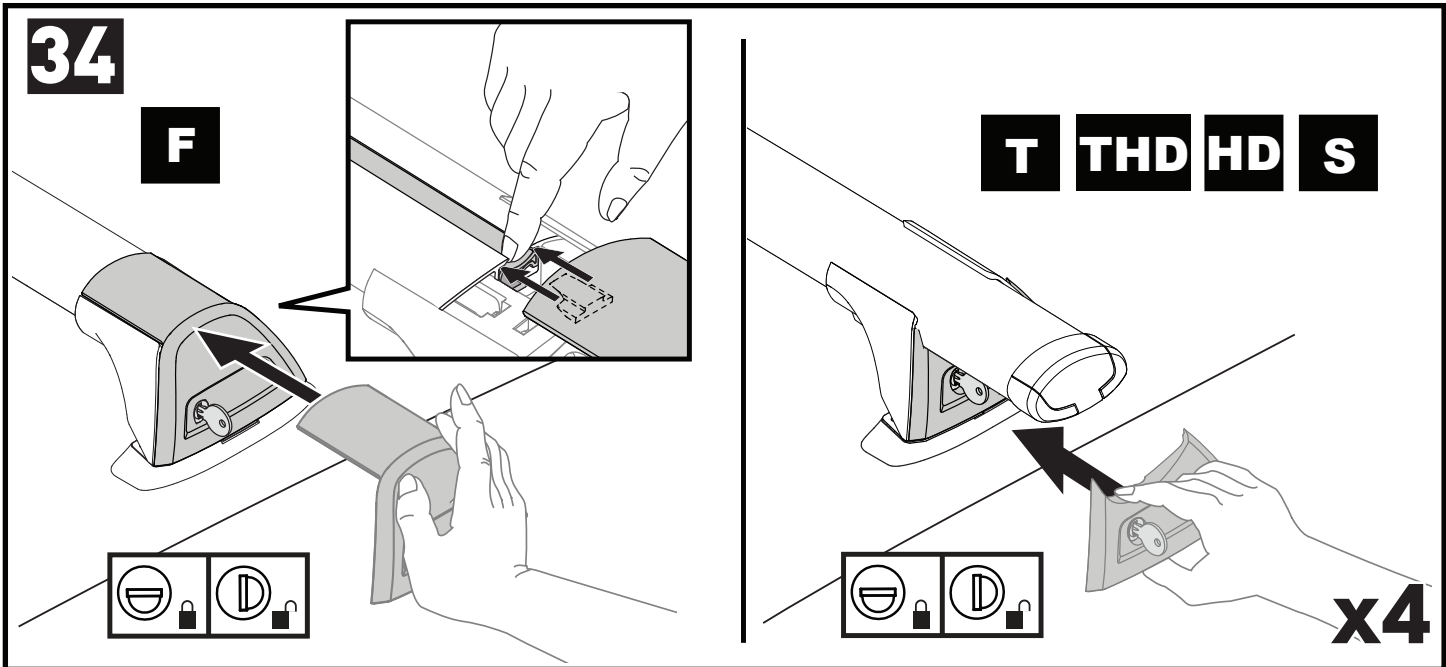
**x4**

**33**

**2 Nm  
(18 lb-in)**

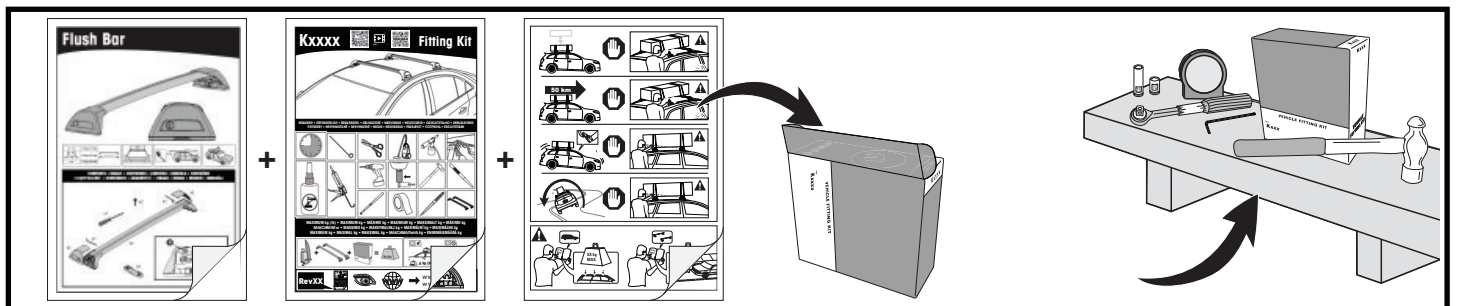
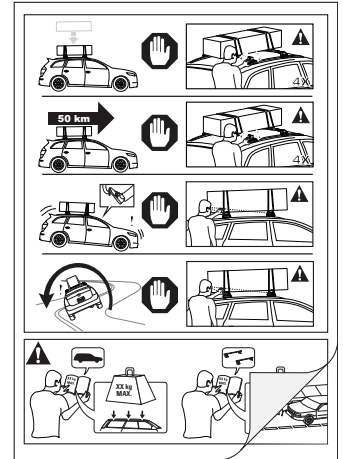


**x4**



**ATTENTION • ACHTUNG • ATENCIÓN • ATTENTION • OPPMERKSOMHET • ATENÇÃO • ATTENZIONE • UWAGA  
UPOZORNĚNÍ • UPOZORNENIE • LET OP • UPPMÄRKSAMHET • OPMÆRKSOMHED • УВАГА • HUOMIO**

- EN** Please read safety and warranty booklet included with this product prior to use. For more information visit your local dealer.
- DE** Bitte lesen und beachten Sie die beiliegende Montageanleitung, Sicherheitshinweise und Garantiebedingungen bevor Sie das Produkt montieren/benutzen. Für weitere Informationen kontaktieren Sie bitte Ihren Händler.
- ES** Por favor, lea folleto de seguridad y garantía que se incluye con este producto antes de su uso . Para obtener más información, visite a su distribuidor local.
- FR** Veuillez lire attentivement le manuel de sécurité et de garantie avant utilisation. Pour plus d'informations, visitez votre concessionnaire local.
- NO** Vennligst les hefte om sikkerhet og garanti som er vedlagt dette produkt før det tas i bruk. For mer informasjon ta kontakt med din forhandler.
- PT** Por favor leia o manual de segurança e garantia incluído, antes de utilizar o produto. Para mais informações visite o seu revendedor local.
- IT** Si prega di leggere il libretto di sicurezza e garanzia incluso nel prodotto prima dell'uso. Per maggiori informazioni visita il rivenditore locale.
- PL** Proszę zapoznać się z warunkami gwarancji i bezpieczeństwa przed użyciem produktu. W celu uzyskania dodatkowych informacji proszę kontaktować się z najbliższym autoryzowanym punktem sprzedaży.
- CS** Před použitím si prosím přečtete přiložené informace o bezpečnosti a záručních podmínkách. Pro více informací navštivte nejbližšího dealera.
- SK** Pred použitím si prosím prečítajte priložené informácie o bezpečnosti a záručných podmienkach. Pre viac informácií navštívte najbližšieho dileru.
- NL** A.U.B. bijgesloten garantie- en veiligheidsinstructies grondig lezen voor gebruik van dit product. Voor meer informatie graag contact opnemen met uw dealer.
- SV** Var snäll och läs igenom säkerhets- och garantihäftet som medföljer produkten före användning. För mer information besök din lokala återförsäljare.
- DK** Læs venligst sikkerheds- og garantibogsholderen, der følger med dette produkt, inden brug. For mere information besøg din lokale forhandler.
- UA** Будь ласка, ознайомтеся з бронею безпеки та гарантії, включені до цього продукту перед використанням. Для отримання додаткової інформації відвідайте місцевого дилера.
- FI** Lue tämän tuotteen mukana toimitetut turvallisuus- ja takuu huoltopalvelut ennen käyttöä. Lisätietoja saat paikalliselta jälleenmyyjältä.



**ALL CONTENT SUBJECT TO YAKIMA AUSTRALIA PTY LTD COPYRIGHT © 2016**

Yakima Australia Pty Ltd  
17 Hinkler Court, Brendale  
QLD 4500, Australia  
1800 143 548  
www.prorack.com.au  
www.yakima.com.au

Yakima Products, Inc.  
4101 Kruse Way  
Lake Oswego, OR. 97035 USA  
888 925 4621  
www.yakima.com

WORKS WITH:  
**prorack**  
WHISPBAR  
**YAKIMA**