



Aero Deck install using Aero Deck Direct Mount Kit

Maximum Product Load Rating

- 100 kg for Aero Deck 1300 mm Wide x 1300 mm Long
- 100 kg for Aero Deck 1300 mm Wide x 1500 mm Long
- 150 kg for Aero Deck 1300 mm Wide x 2000 mm Long

Important Warning

- LOAD = WEIGHT OF PLATFORM or BARS + MOUNTING SYSTEM + ACCESSORIES + CARGO
- PLEASE REFER TO VEHICLE MANUFACTURER SPECIFICATIONS FOR MAX ROOF LOAD CAPACITY OF VEHICLE. THE LOWEST LOAD RATING APPLIES.
- OFFROAD RATING: SCAN QR CODE FOR PRORACK LOAD RATING GUIDE. REDUCTIONS MAY APPLY.

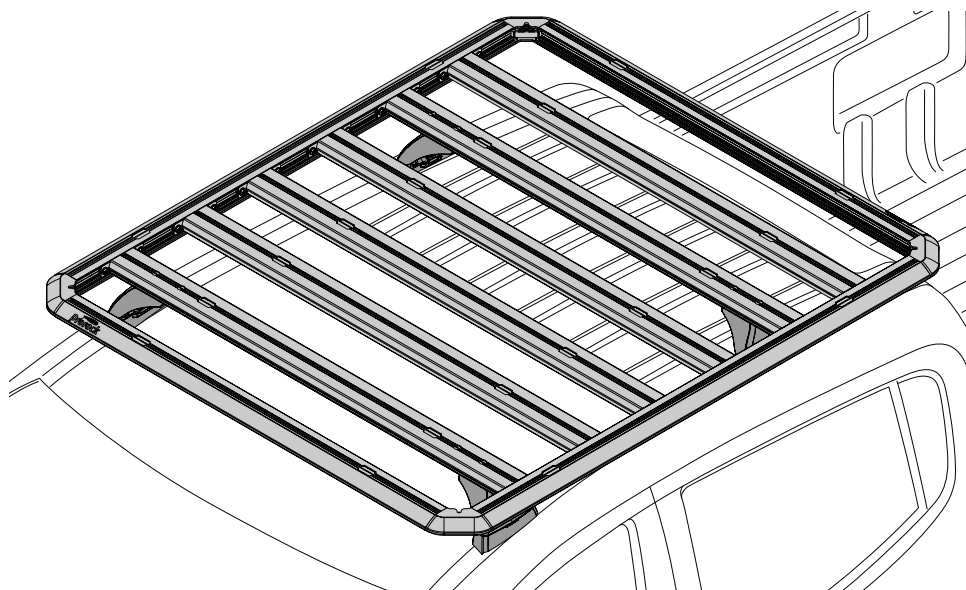
First Time Installation

- Please read instructions carefully or scan QR code for video instructions before installation.
- For the purpose of safety installation must conform to the requirements set out in this document.
- Please contact Prorack customer service if you are in doubt about this product's fitment being suitable to your particular application.
- Check the contents of kit. Contact your Prorack dealer if any parts appear missing or damaged.
- Clean your vehicle roof prior to fitting the Aero Deck Direct Mount Kit and Aero Deck.
- Use caution when handling Aero Deck components as sharp edges may be present.
- Images throughout show the Aero Deck 1300 mm Wide x 1500 mm Long.
- Please note other Aero Deck sizes will have differing amounts of slats and hardware.
- Hand tools only to be used in the assembly. The use of power tools may damage the product.
- Place these instructions in the vehicle's glove box after installation is complete.



Tools Required

- 13 mm Socket Wrench (supplied with Aero Deck)
- 4 mm Ball End Allen Key (supplied with Aero Deck)
- 6 mm Allen Key (supplied with Aero Deck Direct Mount Kit)
- Screwdriver / Spanner 10 mm (supplied with Aero Deck Direct Mount Kit)
- Torque Wrench
- Tape Measure

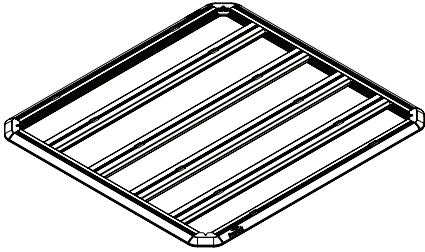


NOTE - PR3702 Aero Deck 1300 mm Wide x 1500 mm shown.

Kits Required For Installation

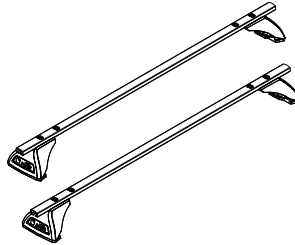
- Refer to the Vehicle fit finder on the Prorack website for vehicle fit details.

PR3701 Aero Deck
1300 mm Wide x 1300 mm Long



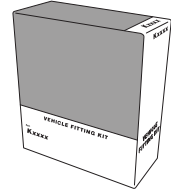
+

PR3710 Aero Deck Direct Mount Kit
(4 Leg)

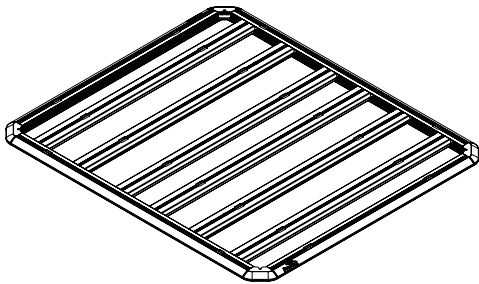


+

Prorack
Fitting Kit

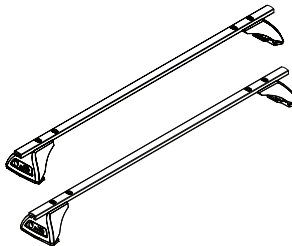


PR3702 Aero Deck
1300 mm Wide x 1500 mm Long



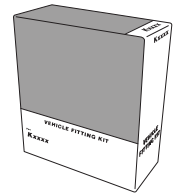
+

PR3710 Aero Deck Direct Mount Kit
(4 Leg)

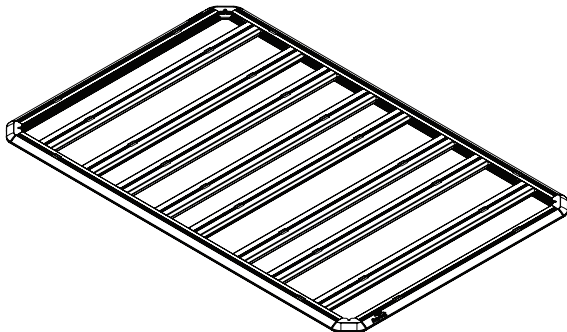


+

Prorack
Fitting Kit

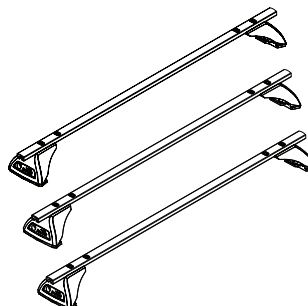


PR3703 Aero Deck
1300 mm Wide x 2000 mm Long



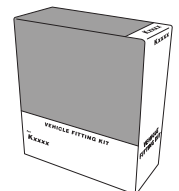
+

PR3711 Aero Deck Direct Mount Kit
(6 Leg)



+

Prorack
Fitting Kit



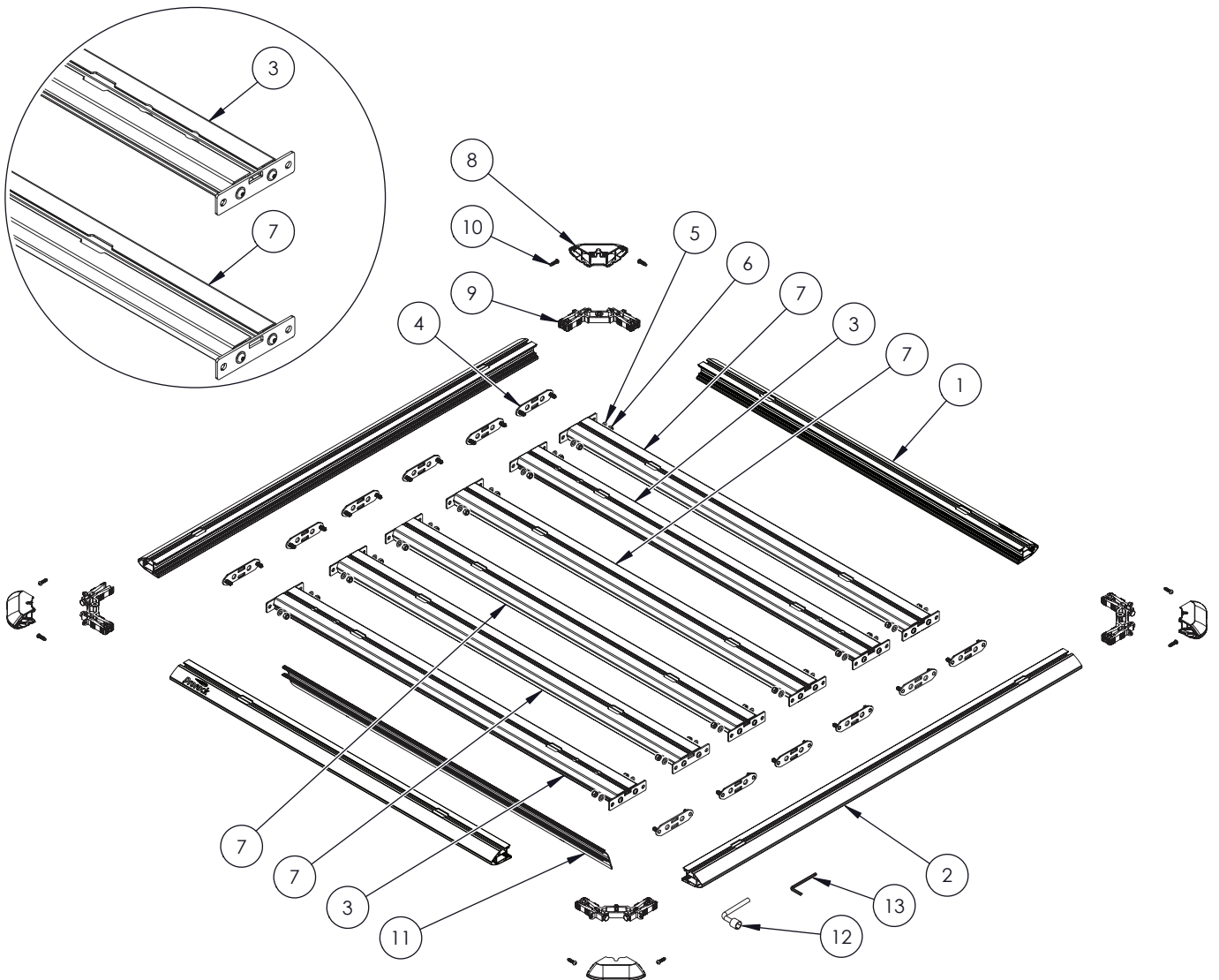
Important Warning



Prorack Aero Deck Direct Mount Kit is not for use as a roof rack and is only suitable for mounting an Aero Deck.

Aero Deck Kit Contents

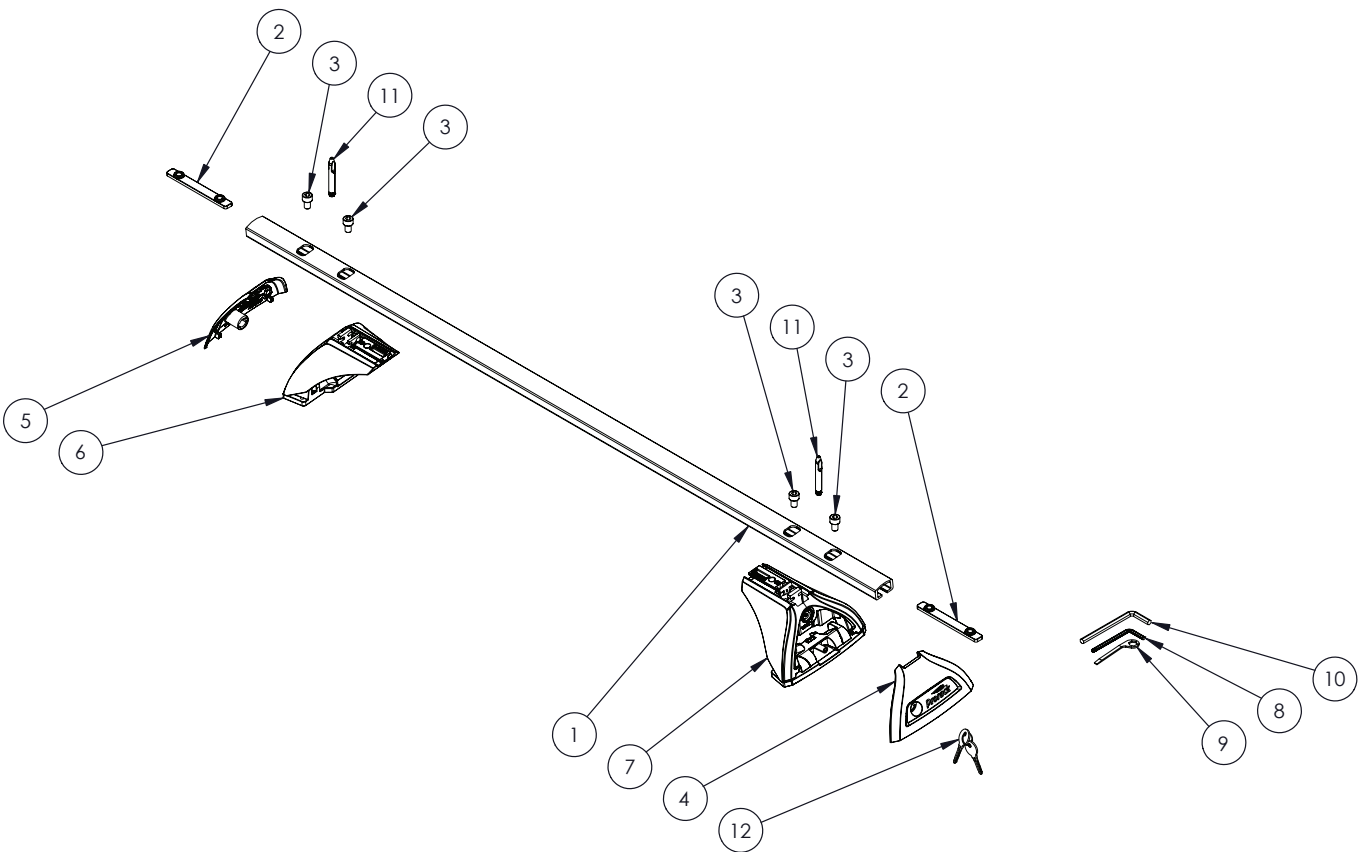
Item	Component	(PR3701) Aero Deck 1300 mm Wide x 1300 mm Long	(PR3702) Aero Deck 1300 mm Wide x 1500 mm Long	(PR3703) Aero Deck 1300 mm Wide x 2000 mm Long
1.	Front / Rear Perimeter Beam (Prorack logo)	x2	x2	x2
2.	Side Perimeter Beam	x2	x2	x2
3.	Mounting Slat	x2	x2	x3
4.	Slat Clamping Plate	x8	x12	x16
5.	M8 Washer	x16	x24	x32
6.	M8 x 1.25 Nyloc Nut	x16	x24	x32
7.	Standard Slat	x2	x4	x5
8.	Corner Cover	x4	x4	x4
9.	Corner Bracket Assembly	x4	x4	x4
10.	M6 x 20 mm Long Screw	x8	x8	x8
11.	Aero Deck Wind Deflector	x1	x1	x1
12.	13 mm Socket Wrench	x1	x1	x1
13.	4 mm Allen Key	x1	x1	x1



NOTE - PR3702 Aero Deck 1300 mm Wide x 1500 mm Long shown.

Aero Deck Direct Mount Kit Contents

Item	Component	(PR3710) Aero Deck 4 Leg Minibar Kit	(PR3711) Aero Deck 6 Leg Minibar Kit
1.	Aero Deck Direct Mount Rail	x2	x3
2.	Aero deck Direct Mount Mounting Plate	x4	x6
3.	M8 x 12 mm Socket Head Screw	x8	x12
4.	LHS Prorack Leg Cover	x2	x3
5.	RHS Prorack Leg Cover	x2	x3
6.	RHS Leg and Clamp Assembly	x2	x3
7.	LHS Leg and Clamp Assembly	x2	x3
8.	4 mm Allen Key	x1	x1
9.	10 mm Spanner / Screwdriver	x1	x1
10.	6 mm Allen Key	x1	x1
11.	Aero Deck Direct Mount Installation Stud	x4	x6
12.	2 Keys	x1	x1



(PR3710) **x2**
(PR3711) **x3**

Aero Deck Direct Mount Kit Installation

Important Warning

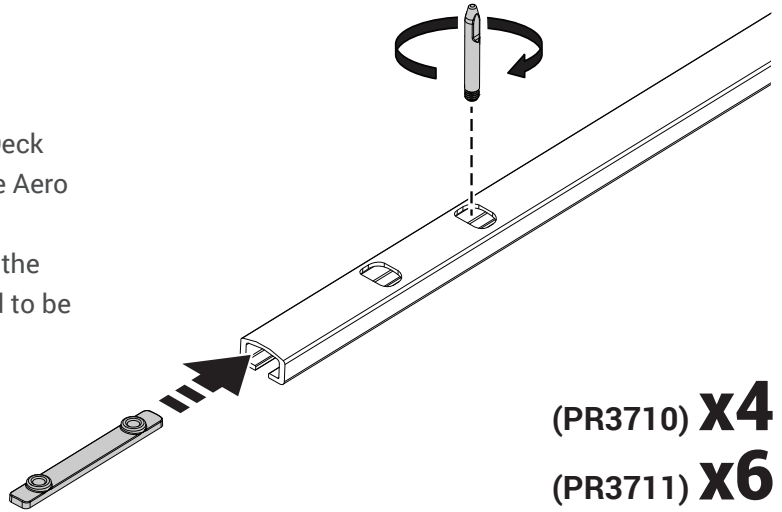


Prorack Aero Deck Direct Mount Kit is not for use as a roof rack and is only suitable for mounting an Aero Deck.

1 INSTALL MOUNTING PLATE AND INSTALLATION STUD

Begin with the installation of the Aero Deck Direct Mount Kit prior to assembling the Aero Deck.

Install the Mounting Plate and screw in the Installation Stud by hand. This will need to be easily removed later in the installation.

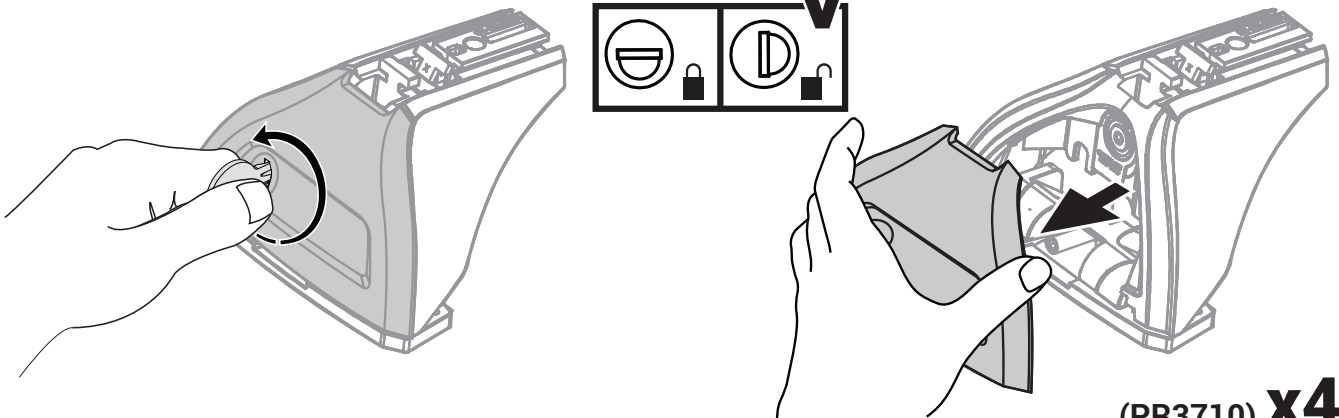


(PR3710) **x4**

(PR3711) **x6**

2 REMOVE COVERS

Remove the covers from the feet.

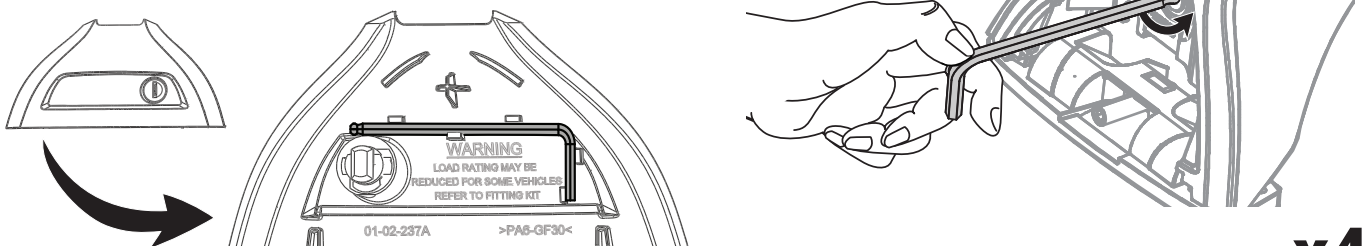


(PR3710) **x4**

(PR3711) **x6**

3 LOOSEN CLAMPING SCREW

Remove the 4 mm allen key from cover and loosen the clamping screw by turning 10 times in an anti-clockwise direction.



(PR3710) **x4**

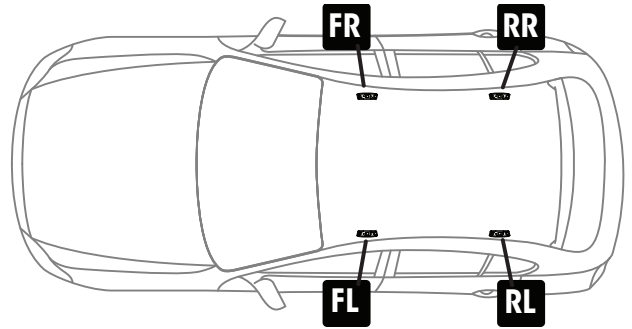
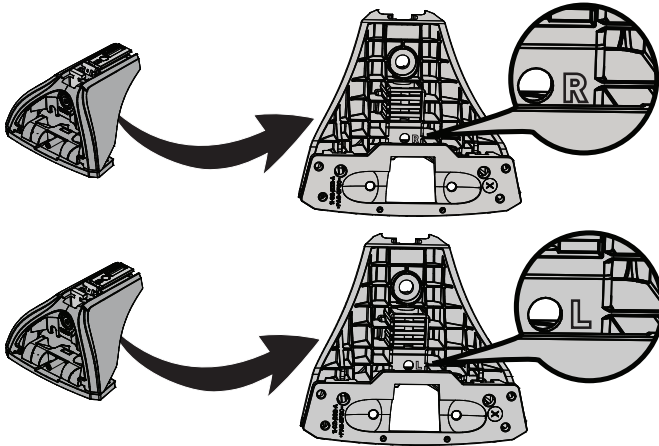
(PR3711) **x6**

4 INSPECT LEGS

Check the legs to identify which side of the vehicle they are to be fitted to.

R = Right side of vehicle.

L = Left side of vehicle.

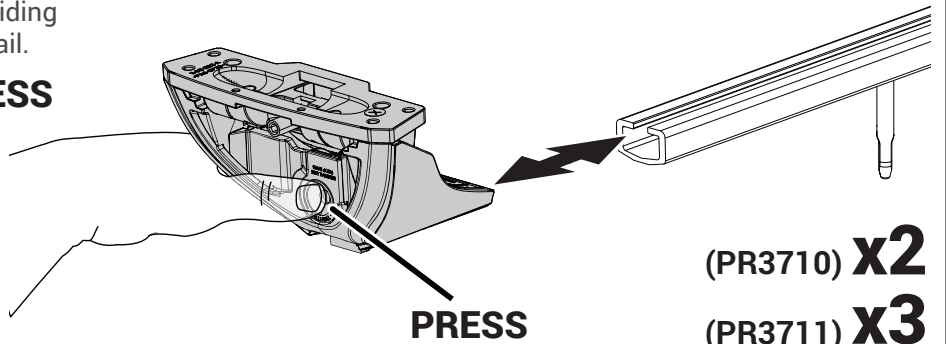
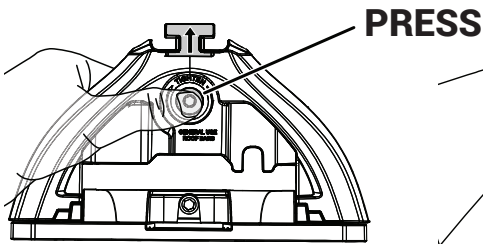


(PR3710) **x4**

(PR3711) **x6**

5 INSTALL LEGS

Install the leg by pressing and holding the clamping screw and sliding it onto the Direct Mount Rail.

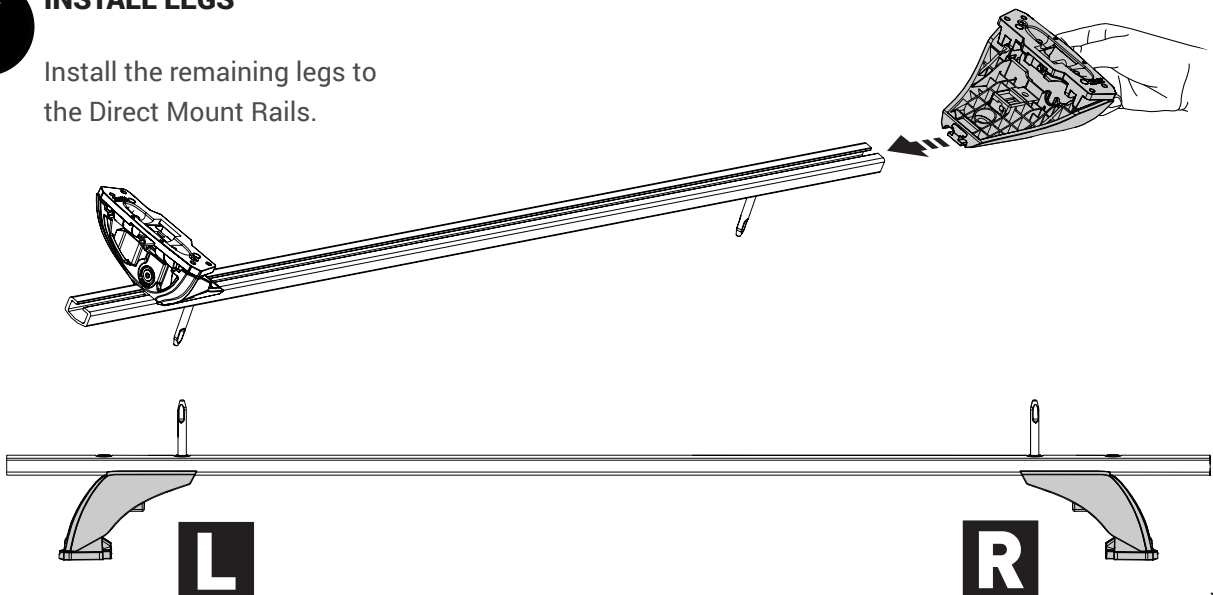


(PR3710) **x2**

(PR3711) **x3**

6 INSTALL LEGS

Install the remaining legs to the Direct Mount Rails.



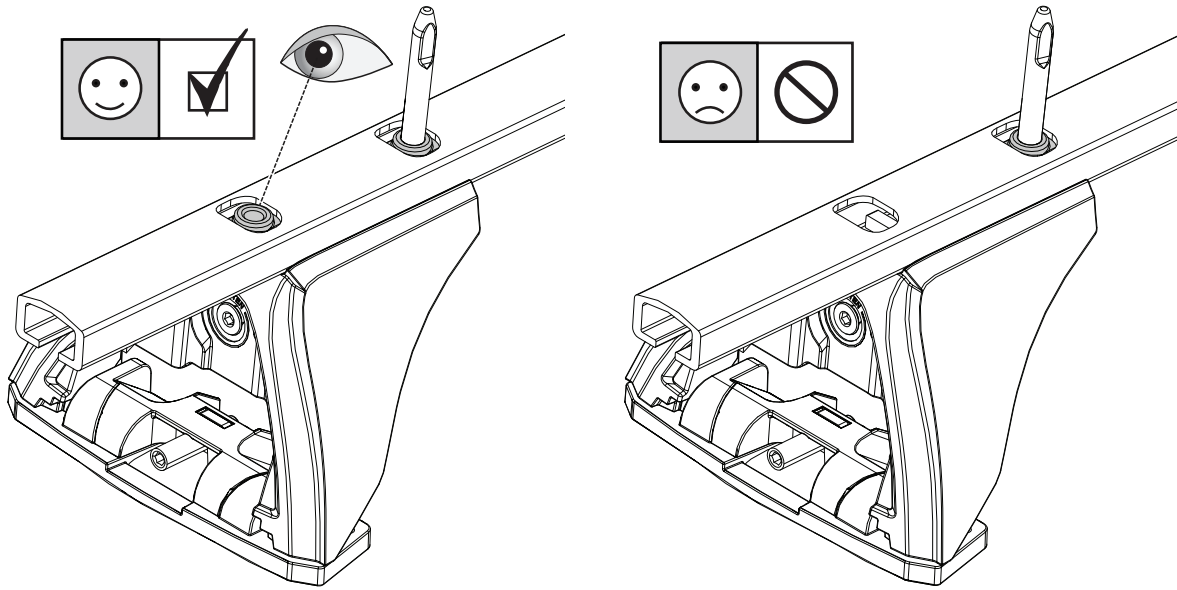
(PR3710) **x2**

(PR3711) **x3**

7

CHECK MOUNTING PLATE POSITION

Ensure the Mounting Plate is protruding out of both holes.



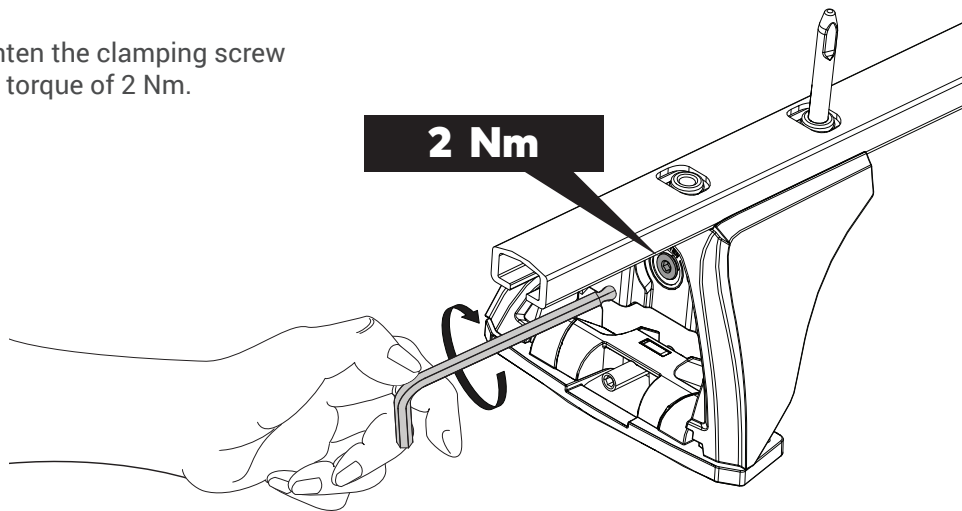
(PR3710) **x4**

(PR3711) **x6**

8

SECURE LEGS

Tighten the clamping screw to a torque of 2 Nm.



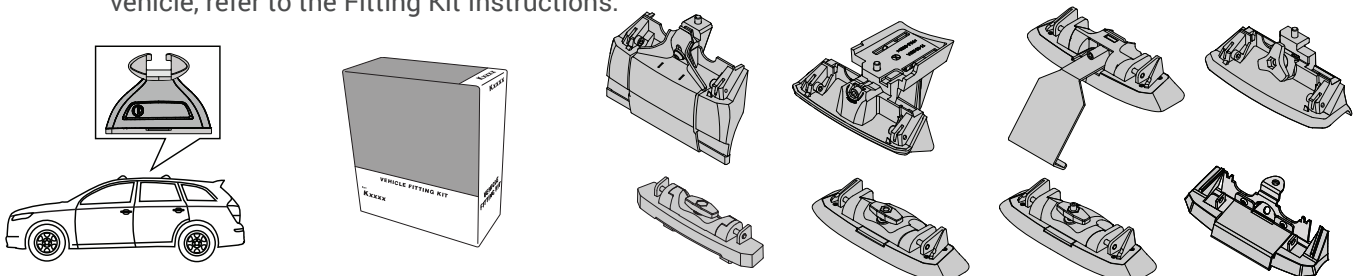
(PR3710) **x4**

(PR3711) **x6**

9

INSTALL FITTING KIT

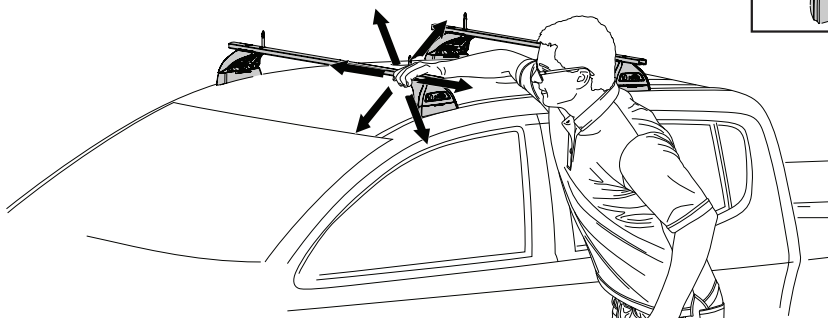
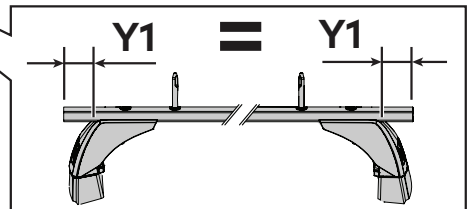
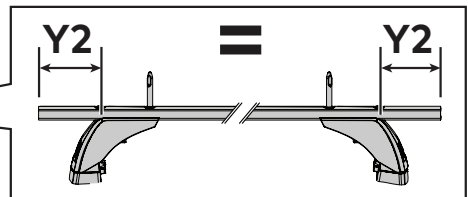
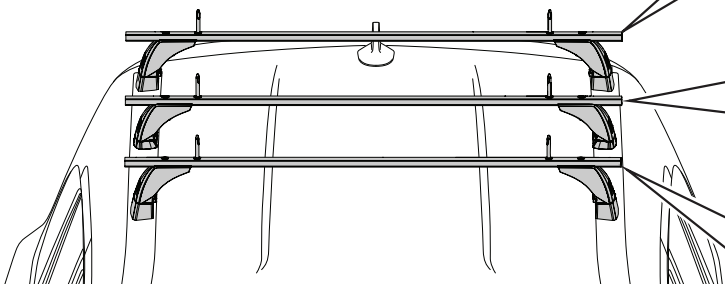
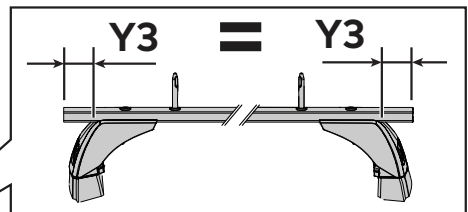
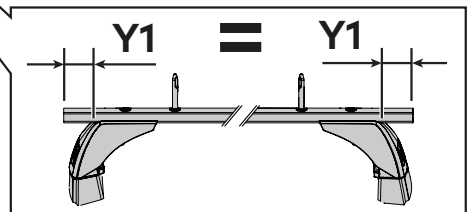
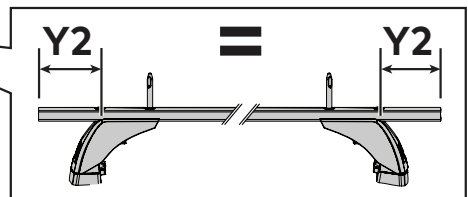
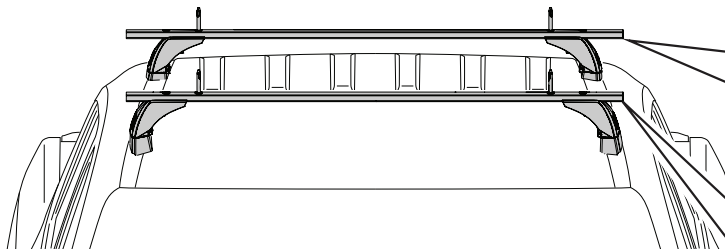
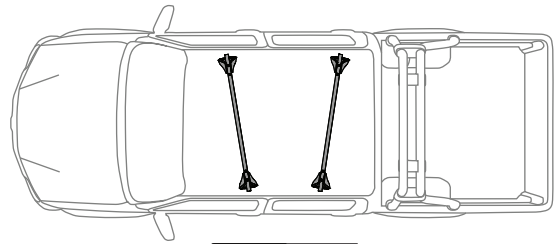
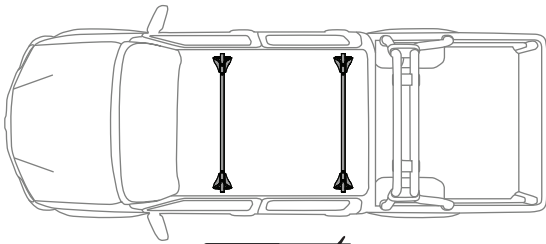
To fit the Aero Deck Direct Mount Kit to the vehicle, refer to the Fitting Kit Instructions.



10

CHECK FITMENT

Ensure the Aero Deck Direct Mount Crossbars are positioned evenly on the vehicle. Also ensure the Aero Deck Direct Mount Kit is firmly secured to the vehicle.



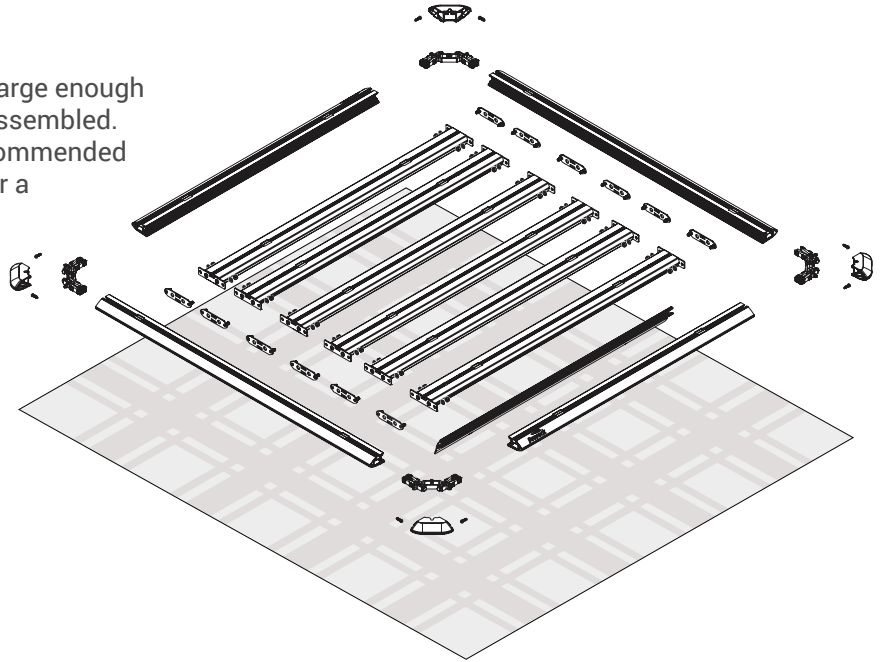
(PR3710) **x2**

(PR3711) **x3**

Aero Deck Assembly

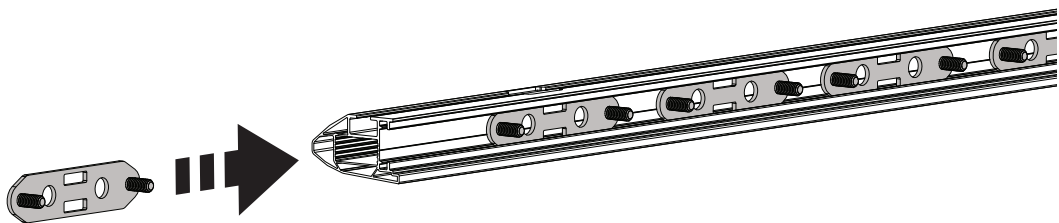
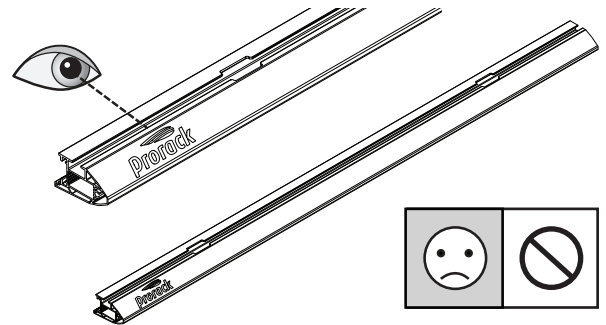
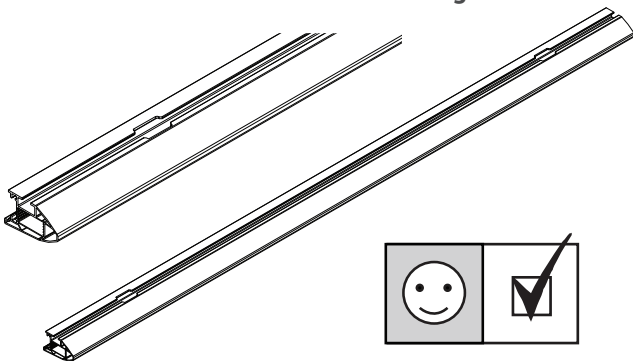
1 ASSEMBLY PREPARATION

Clear a work area that will be large enough for the Aero Deck when fully assembled. To prevent scratching it is recommended to lay down some cardboard or a blanket over the work area.



2 ASSEMBLE CLAMPING PLATES

Install half of the Slat Clamping Plates into the channel of each of the x2 Side Perimeter Beams. The Side Perimeter Beams are the perimeter beams **without the Prorack logo**.



x2

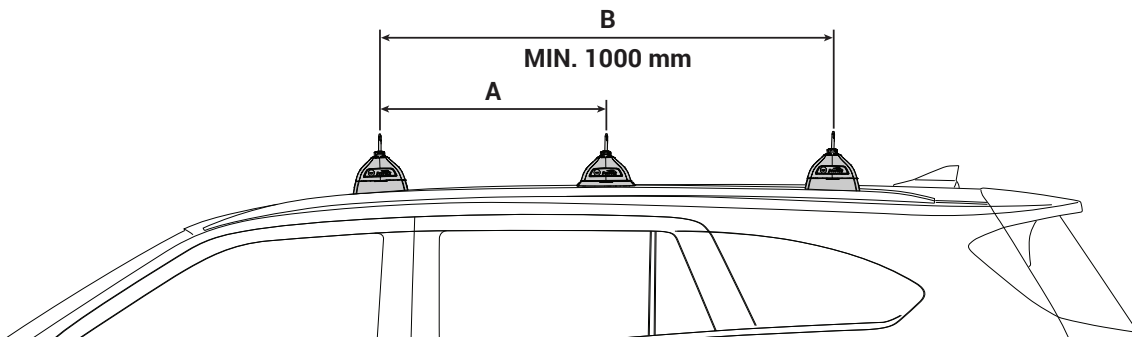
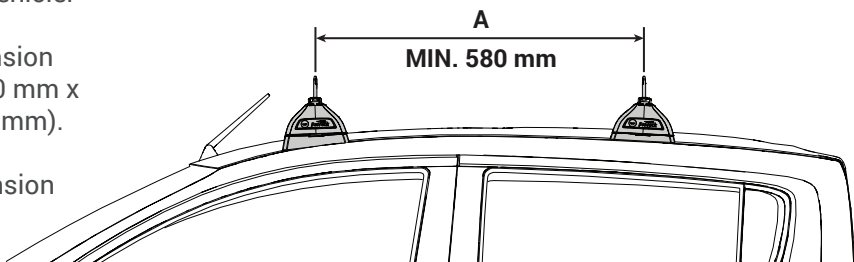
3

MEASURE RAIL DISTANCE

Measure and record the distance between the Aero Deck Direct Mount Kit Rails that are already fitted to the vehicle.

Minimum "A" bar to bar dimension of 580 mm for a 2 rail fit (1300 mm x 1300 mm or 1300 mm x 1500 mm).

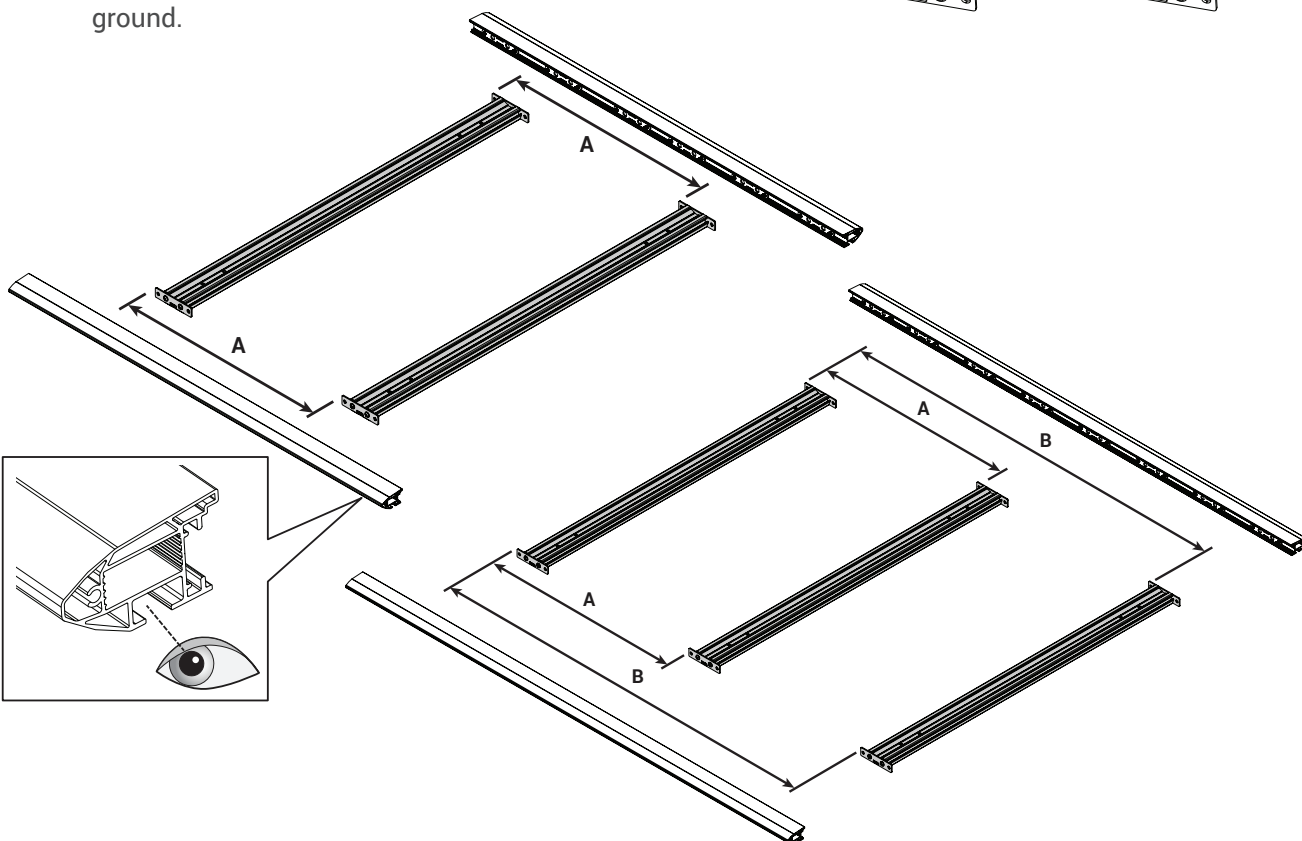
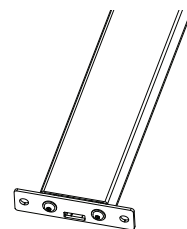
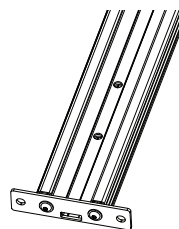
Minimum "B" bar to bar dimension of 1000 mm for a 3 rail fit (1300 mm x 2000 mm).



4

POSITION MOUNTING SLATS

Position the Mounting Slats at the approximate distance apart as measured in the previous step. It is recommended to assemble the Aero Deck upside down for ease of assembly. The slats should be face-down with the accessory slots facing the ground.



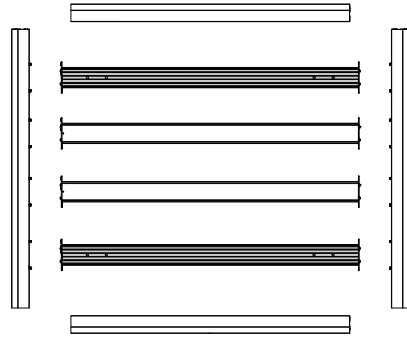
5

POSITION STANDARD SLATS

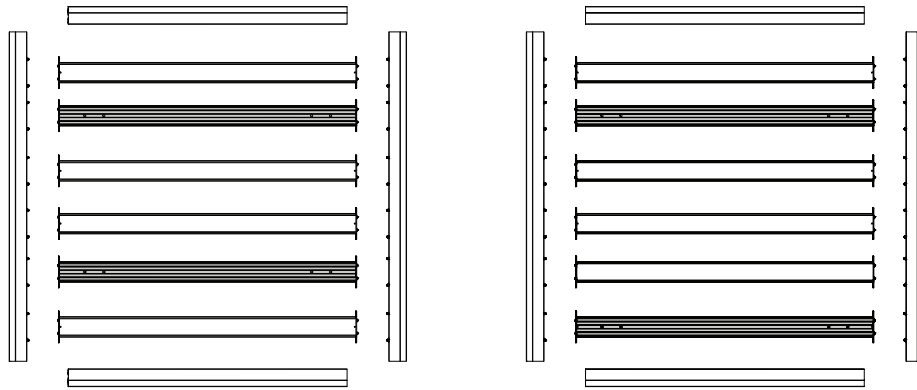
Position the Standard Slats at an approximate even spacing. Position the slats to suit the Aero Deck Crossbar Adapter spacing and the desired position on the vehicle.

Possible layout configurations shown.

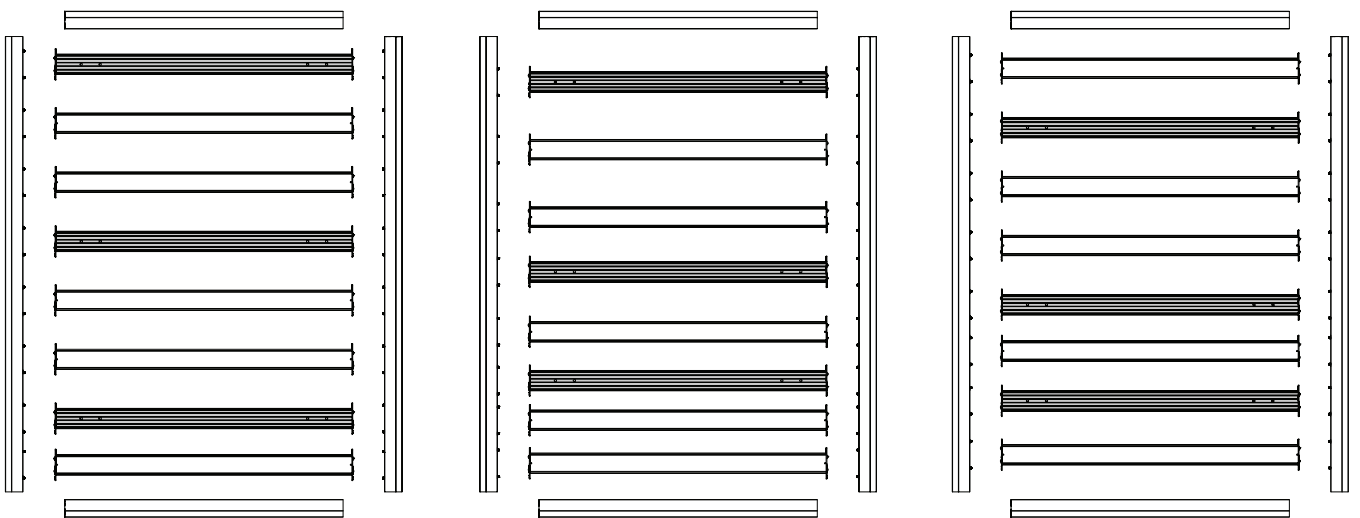
Other layouts are possible, refer to the Step 6 for maximum allowances.



PR3701 Aero Deck 1300 x 1300 mm



PR3702 Aero Deck 1300 x 1500 mm

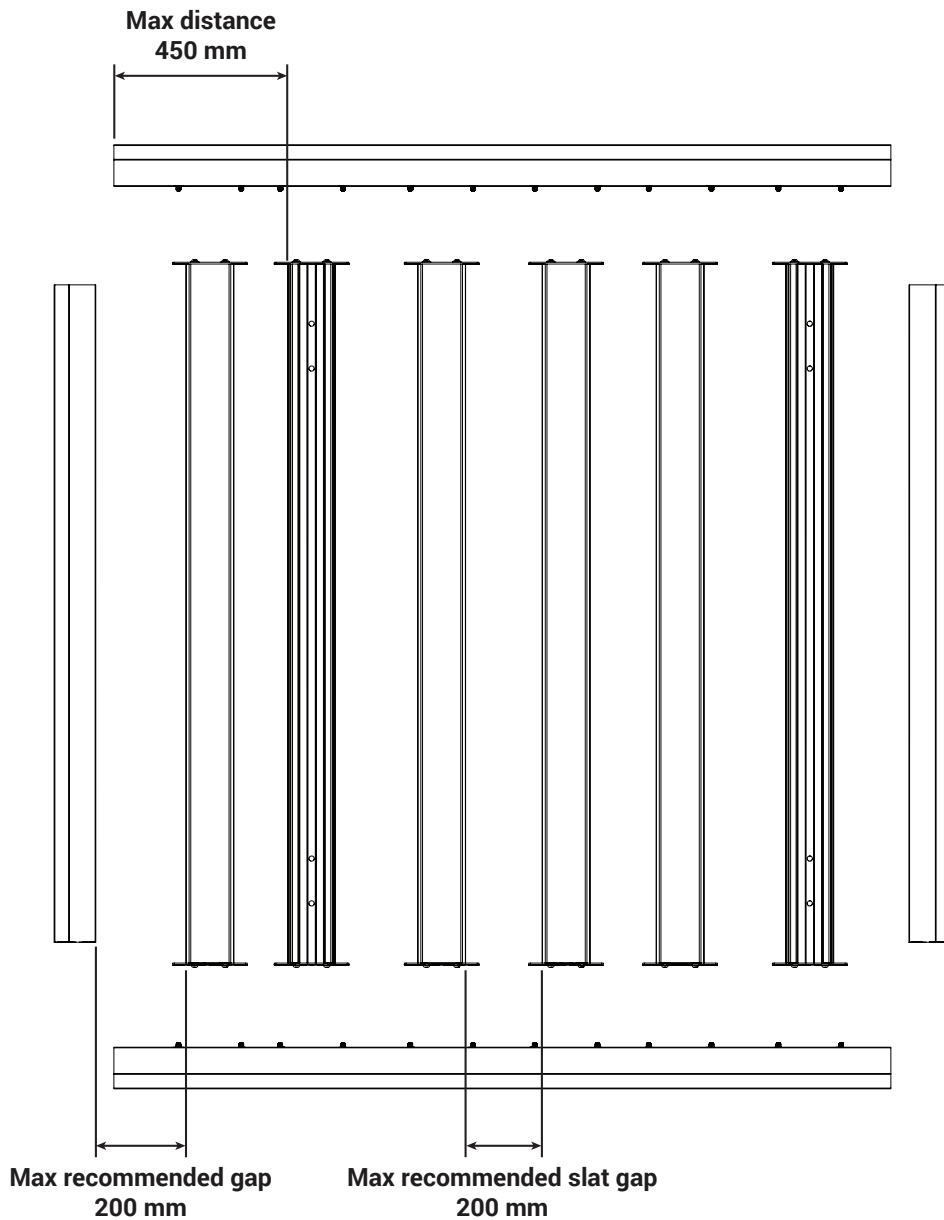


PR3703 Aero Deck 1300 x 2000 mm

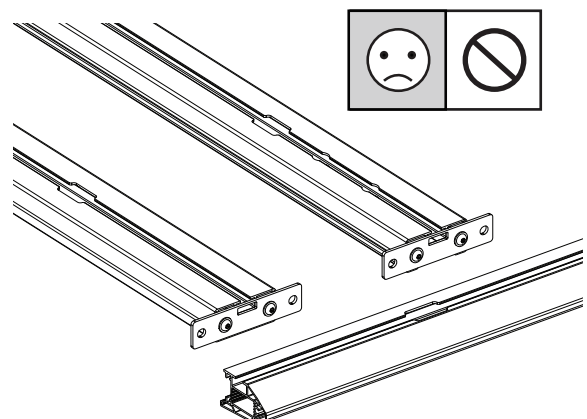
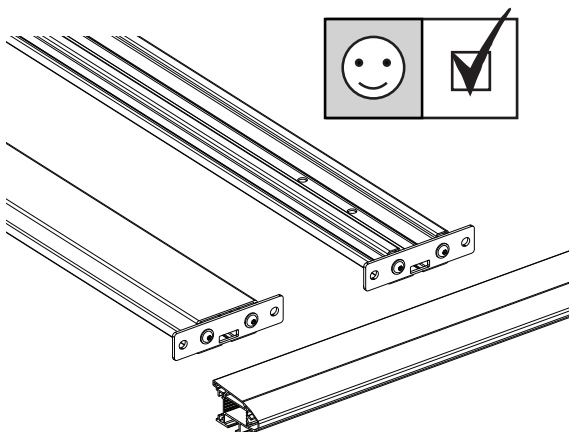
6

CHECK DISTANCES

Check maximum recommended distances.



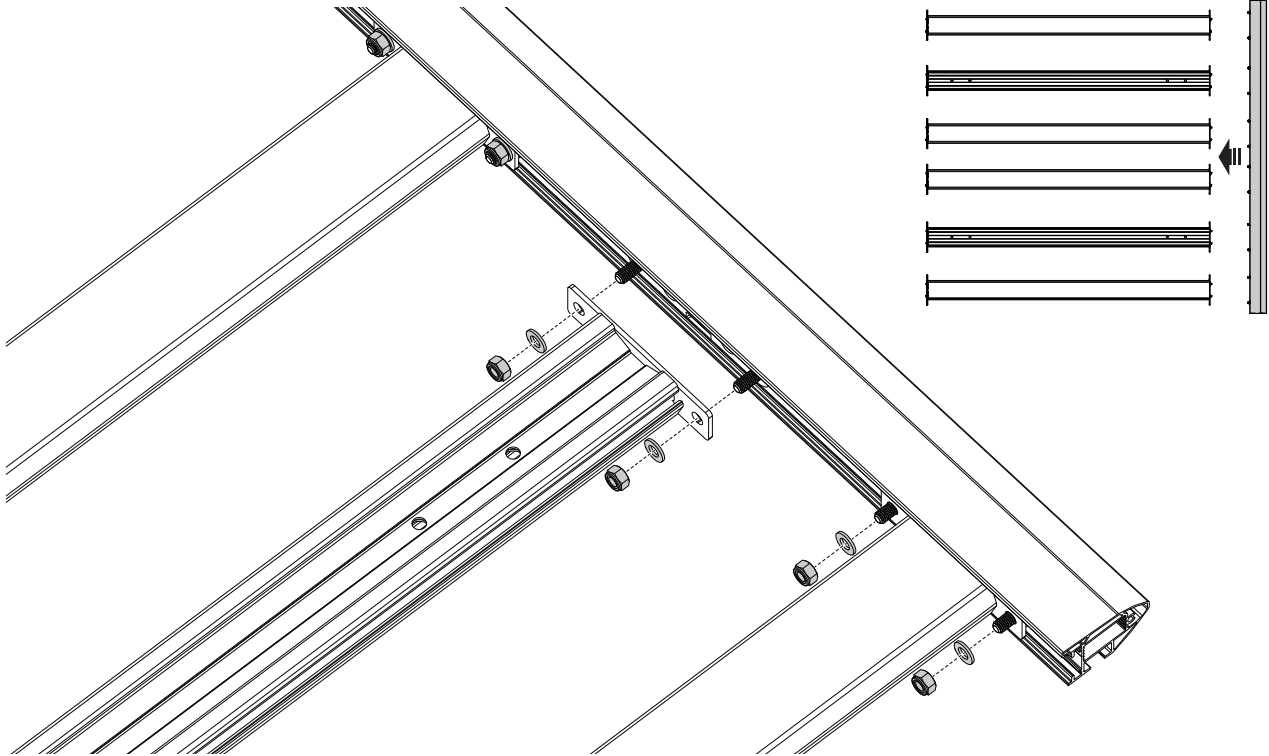
NOTE - It is recommended to assemble the Aero Deck upside down for ease of assembly. The slats should be face-down with the accessory slots facing the ground.



7

INSTALL SLATS

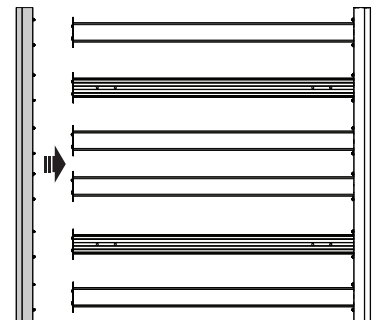
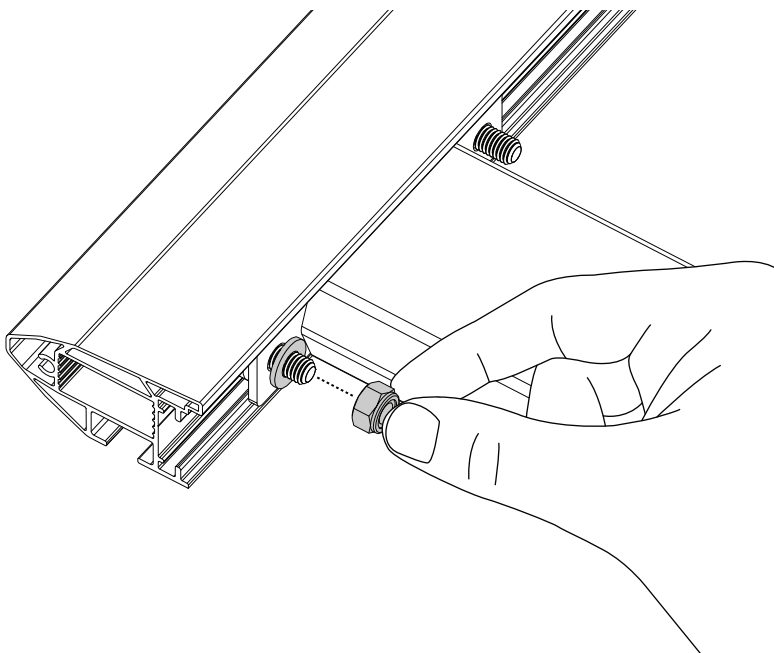
Install the slats to the Slat Clamping Plates on one Side Perimeter Beam and install the M8 Washers and M8 Nyloc Nuts finger tight. Leaving everything finger tight is needed to allow for adjustment of the Aero Deck layout and positions of the slats.



8

INSTALL SLATS

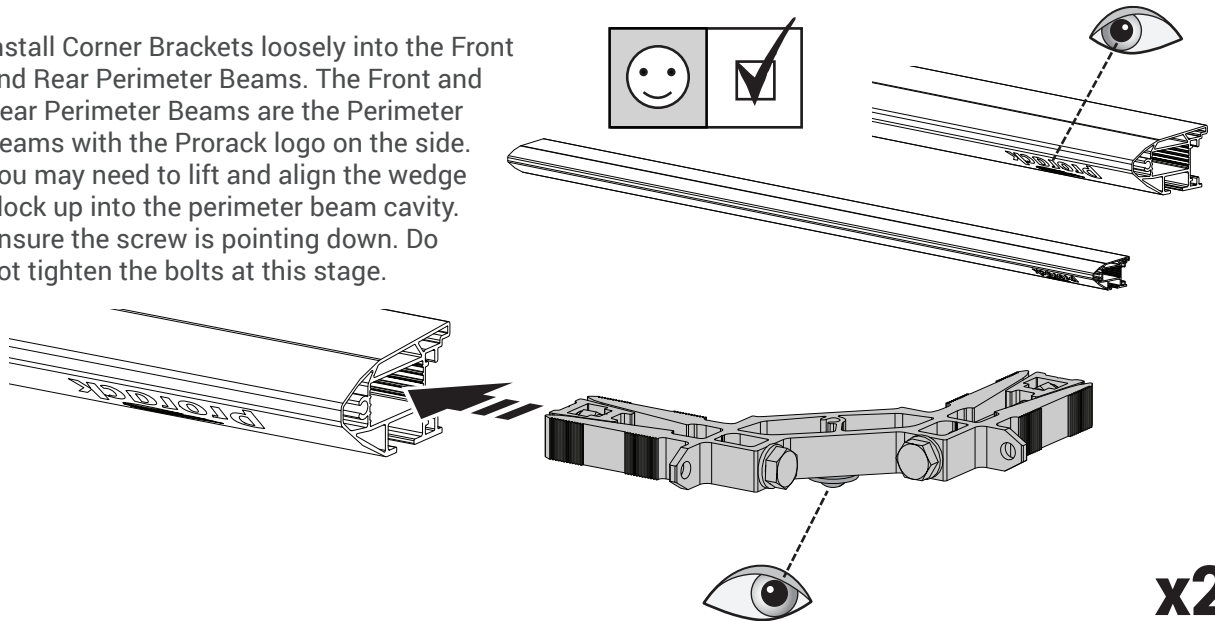
Install the second Side Perimeter Beam to the slats. Again, install the M8 Washers and M8 Nyloc Nuts finger tight. The slats need to still be able to move for ease of assembly.



9

INSTALL CORNER BRACKETS

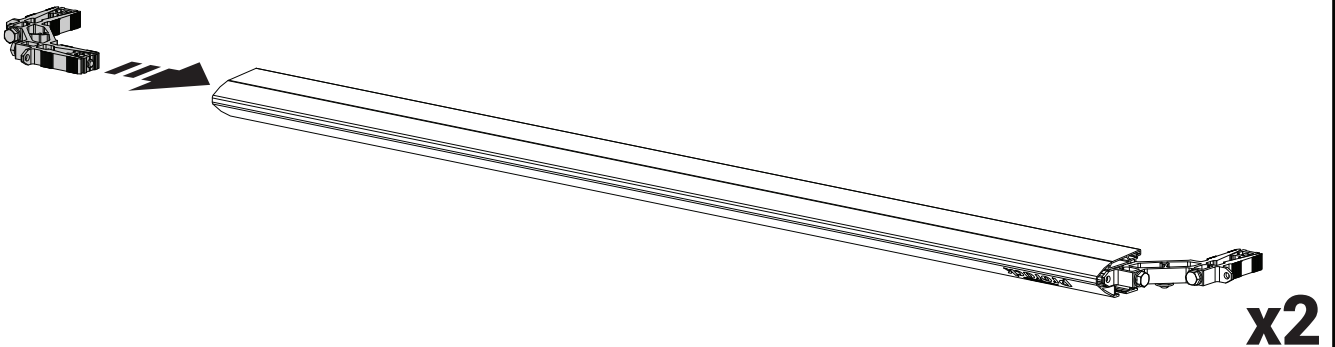
Install Corner Brackets loosely into the Front and Rear Perimeter Beams. The Front and Rear Perimeter Beams are the Perimeter Beams with the Prorack logo on the side. You may need to lift and align the wedge block up into the perimeter beam cavity. Ensure the screw is pointing down. Do not tighten the bolts at this stage.



10

INSTALL CORNER BRACKETS

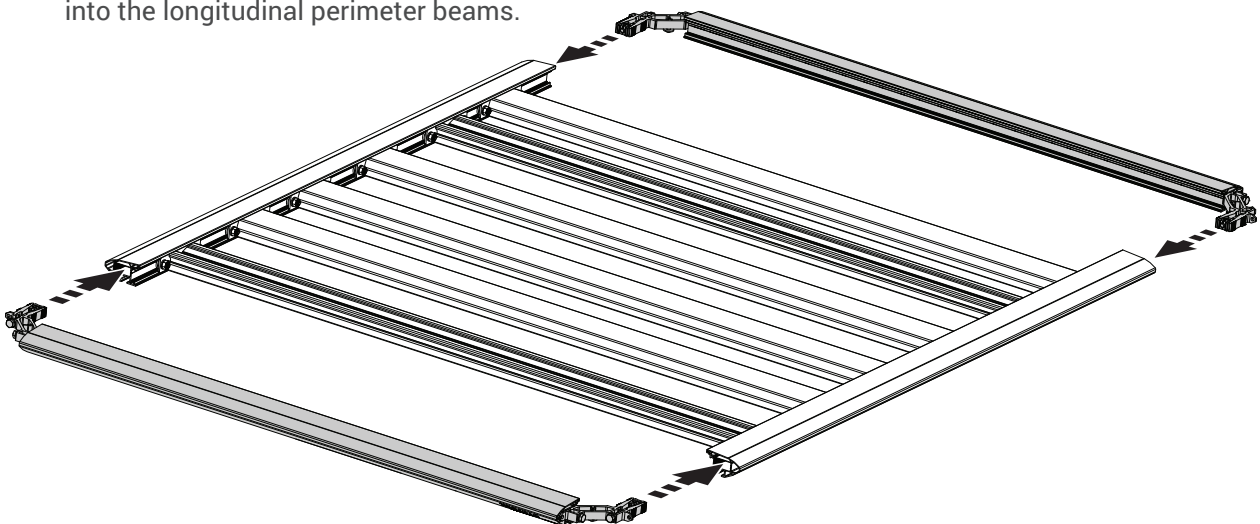
Install the Corner Bracket into the opposite end of the end Perimeter Beam. Repeat for the second end Perimeter Beam.



11

ASSEMBLE BEAMS

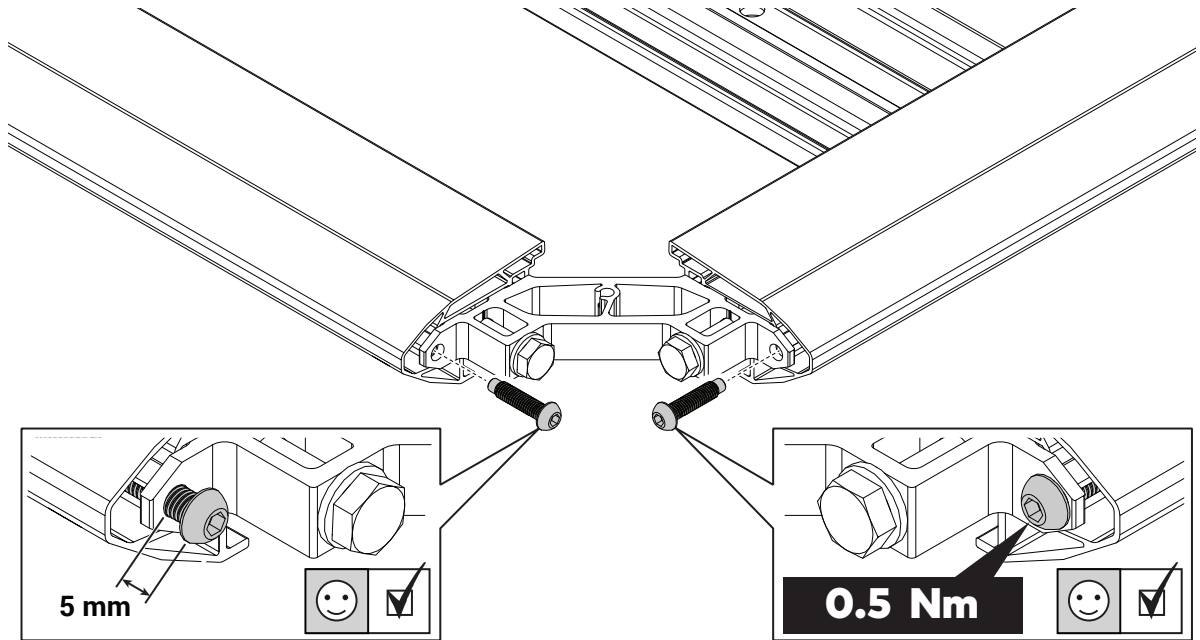
Install the front and rear perimeter beams by sliding the corner brackets into the longitudinal perimeter beams.



12

INSTALL CORNER BRACKET SCREWS

Install M6 Screws into the Corner Brackets. Tighten only the screws on the Side Perimeter Beams to 0.5 Nm. Do not fully tighten the screws in the front and rear beam until the Aero Deck is installed to the vehicle.

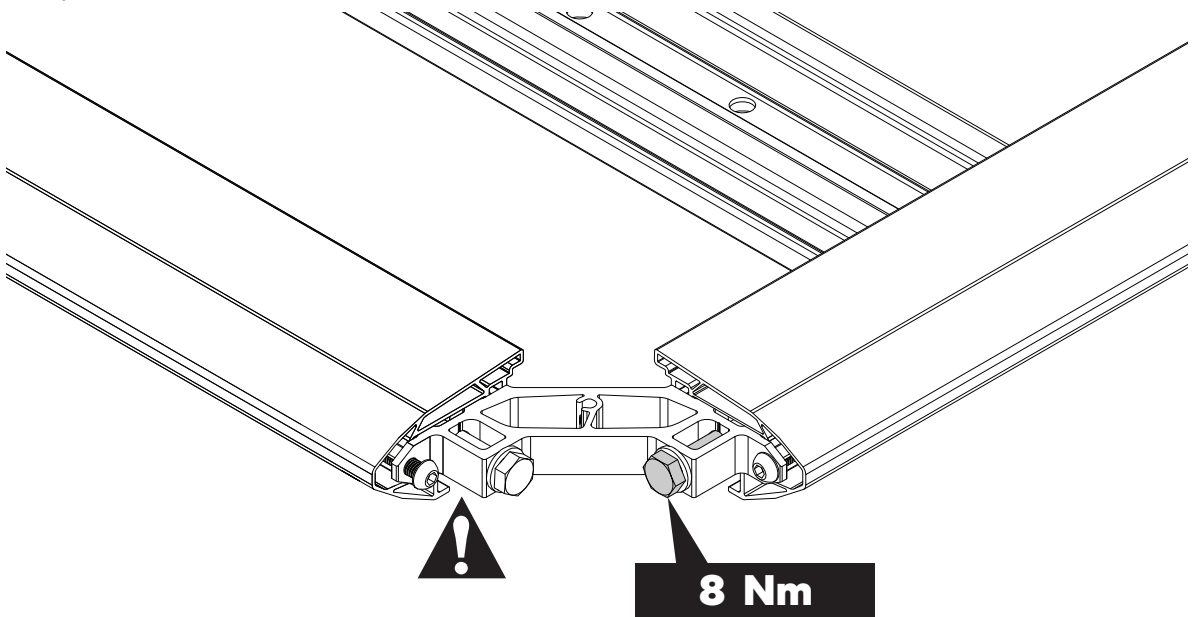


x4

13

TIGHTEN SIDE PERIMETER BEAM BOLTS

Tighten the M8 Side Perimeter Beam bolts only to 8 Nm. Do not tighten the bolts on the front and rear perimeter beams at this stage. They need to remain loose to be able to adjust the slats to position on the vehicle.



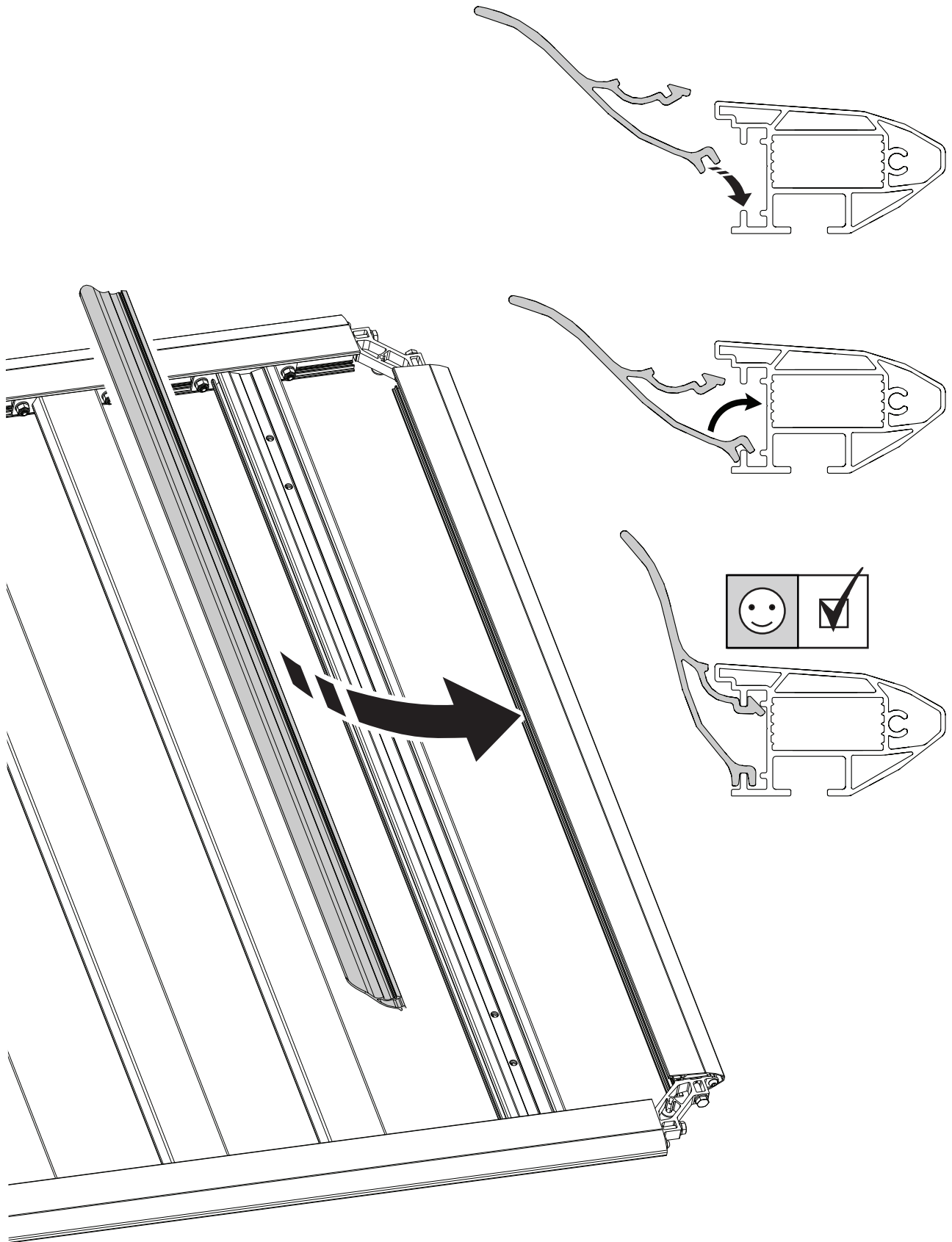
DO NOT tighten the bolts on the Front and Rear Perimeter Beams

x4

14

INSTALL WIND DEFLECTOR

Install the wind deflector onto the front perimeter beam. Insert on the top face and rotate into the slot. Confirm the the deflector has clipped into the channel along the full length.



Installing the Aero Deck to the vehicle

1 CHECK MEASUREMENTS

Check the measurement for the Mounting Slats on the Aero Deck is the same as the distance between the rails.

Adjust the distance between the Mounting Slats if required. Tighten the nuts for the Standard Slats on one side of the Aero Deck and the nuts for one of the Mounting Slats as shown below.

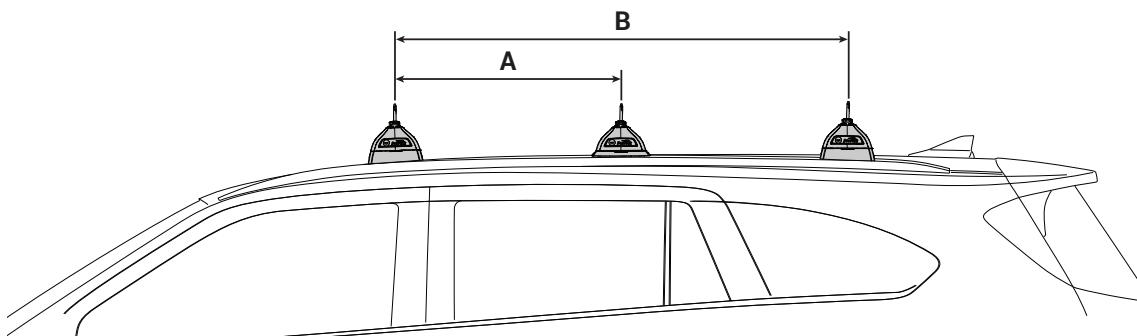
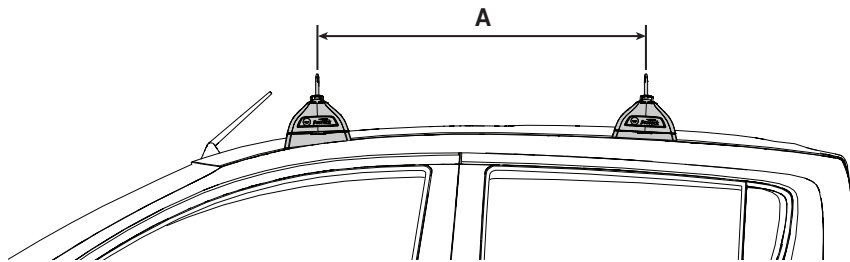
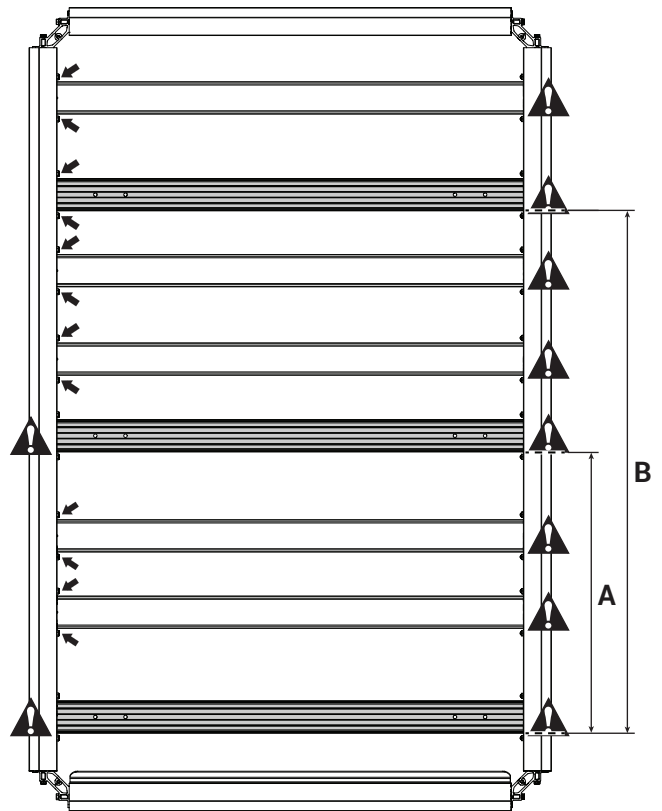
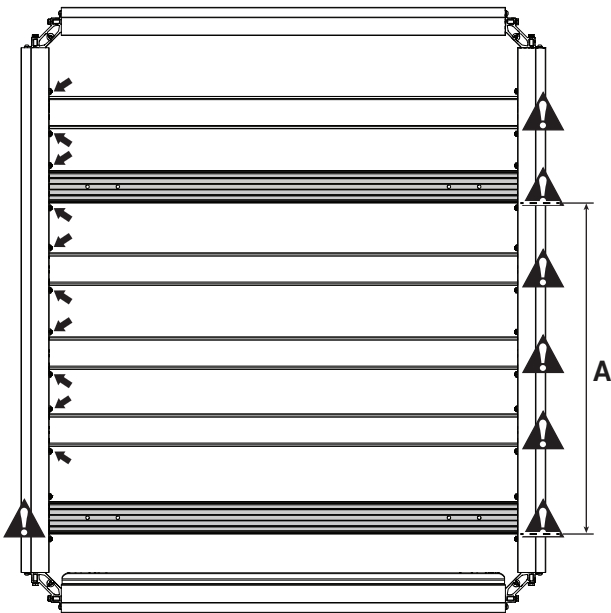
The bolts on the opposite side beam need to remain loose to allow for the loose Mounting Slat to move if required.



Fasteners at these locations to remain loose prior to fitting the Aero Deck to the vehicle.



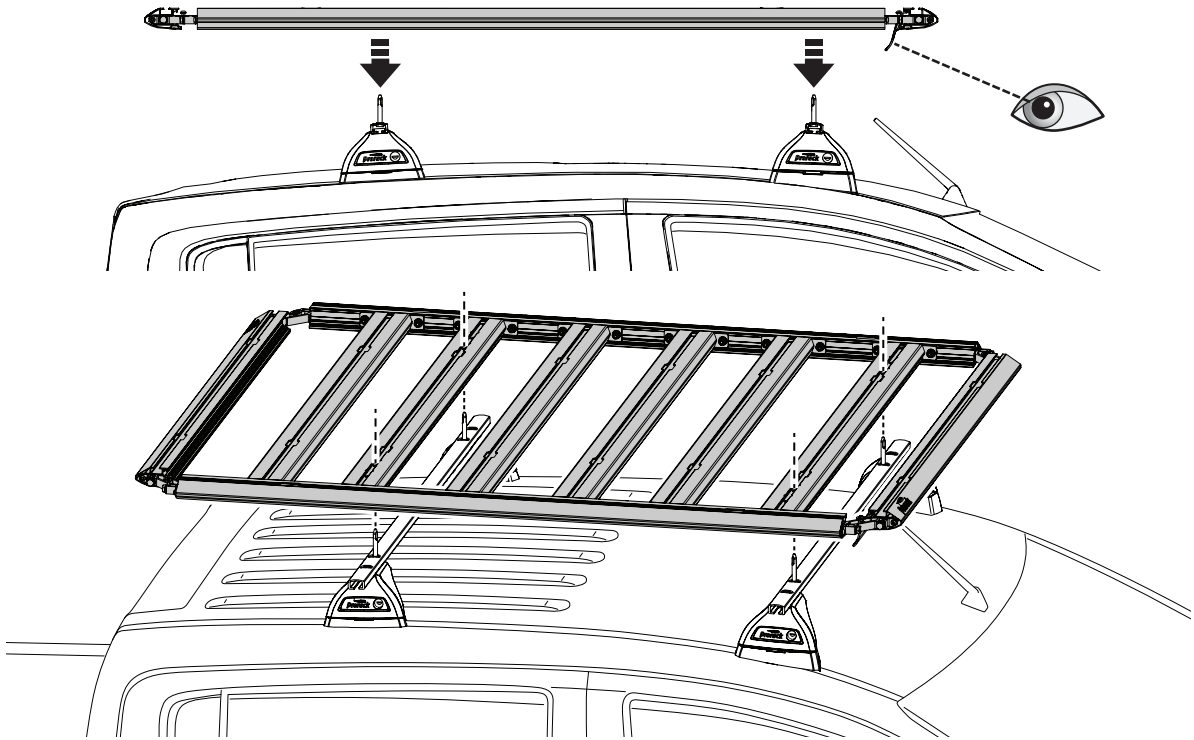
Fasteners indicated by arrows to tightened prior to fitting the Aero Deck to the vehicle.



2

INSTALL

Install the Aero Deck to the Aero Deck Direct Mounting Kit already installed to the vehicle. Adjust the loose Mounting Slat to rest easily on the Aero Deck Direct Mounting Kit and align the Installation Studs with the holes.



3

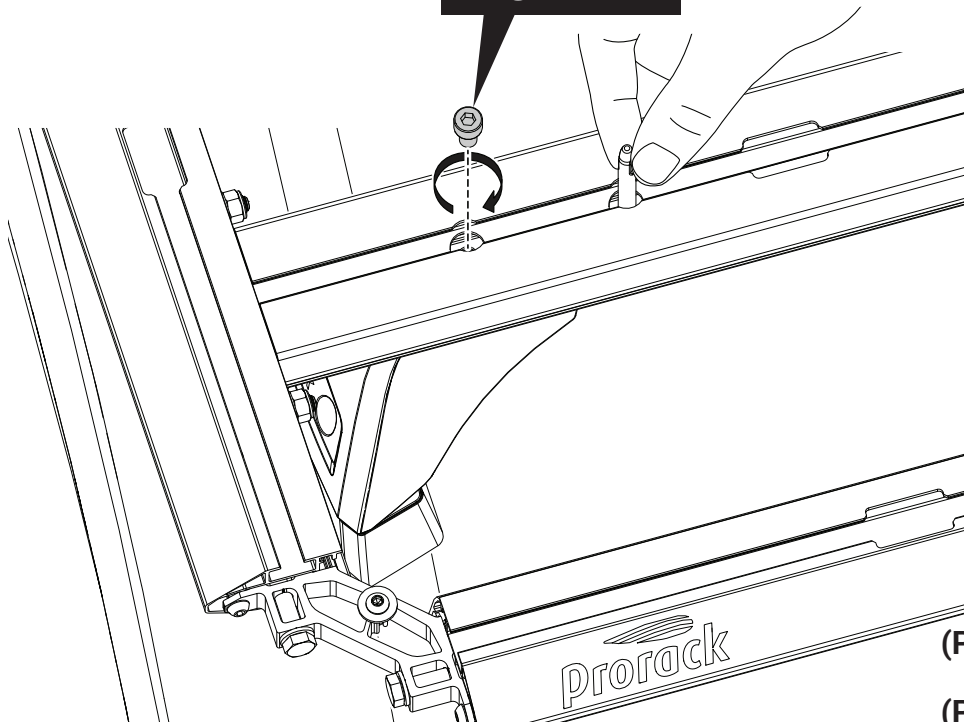
INSTALL

Install a M8 x 12 mm Socket Head Screw into the Mounting Plate using the Installation Stud to lift the nut in to place. Tighten to a torque of 8 Nm.



The supplied M8 x 12 mm screws have loctite pre-applied to the thread. If the screws are removed, new loctite needs to be re-applied during reinstallation.

8 Nm



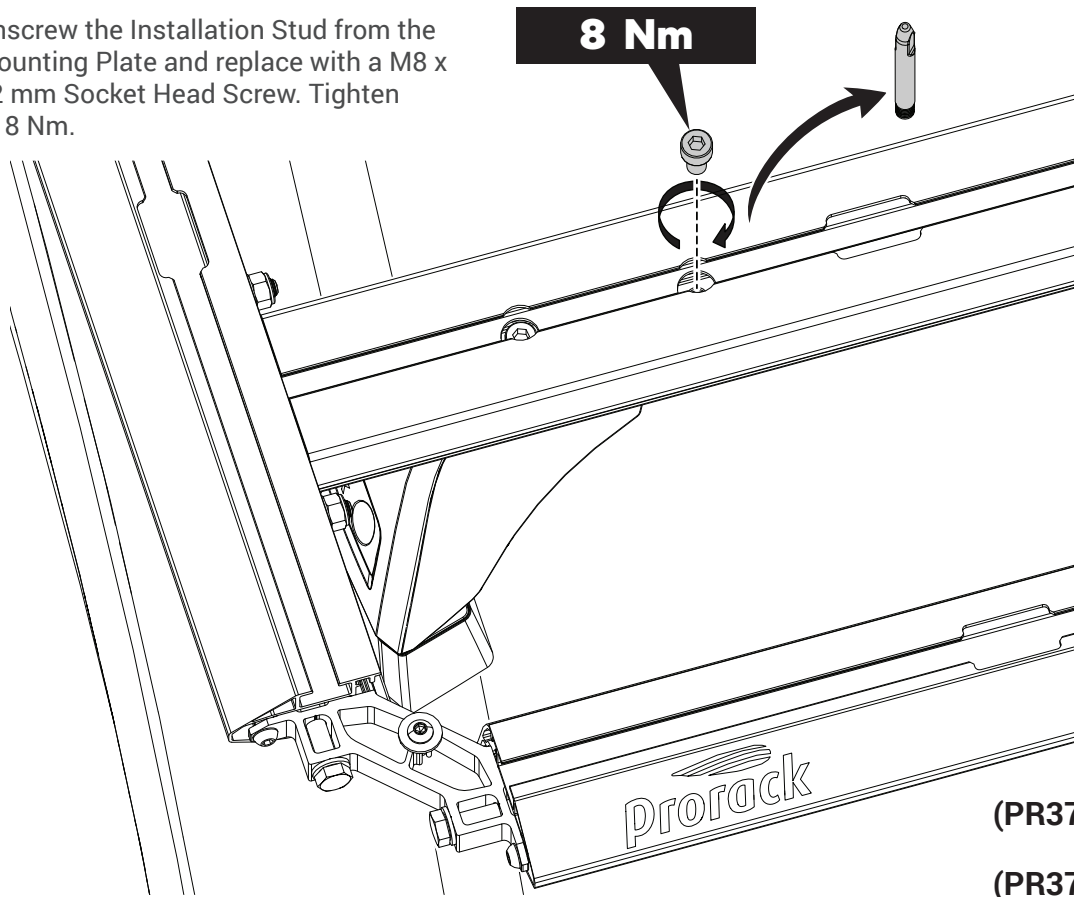
(PR3710) **x4**

(PR3711) **x6**

4

REPLACE INSTALLATION STUD

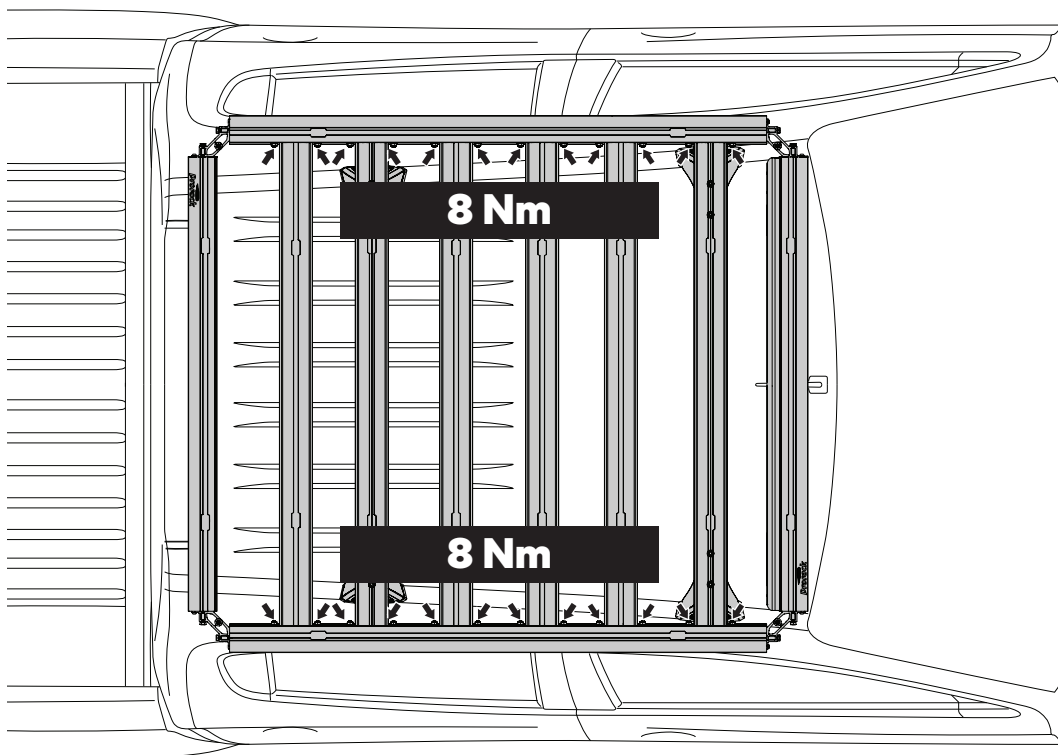
Unscrew the Installation Stud from the Mounting Plate and replace with a M8 x 12 mm Socket Head Screw. Tighten to 8 Nm.



5

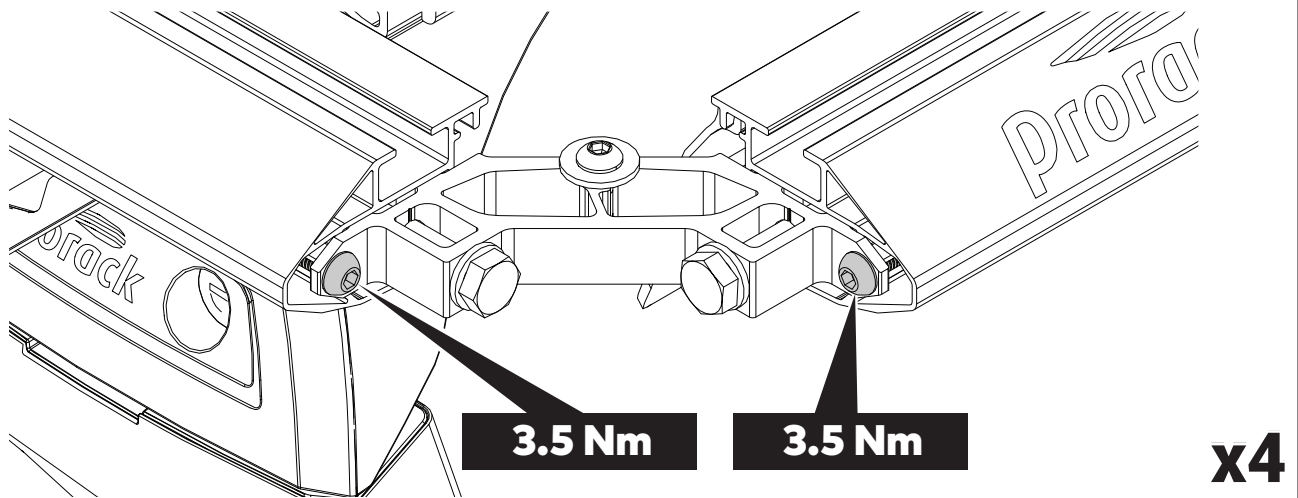
TIGHTEN SLAT FASTENERS

Tighten all of the nuts for the slats on the Aero Deck to a torque of 8 Nm.



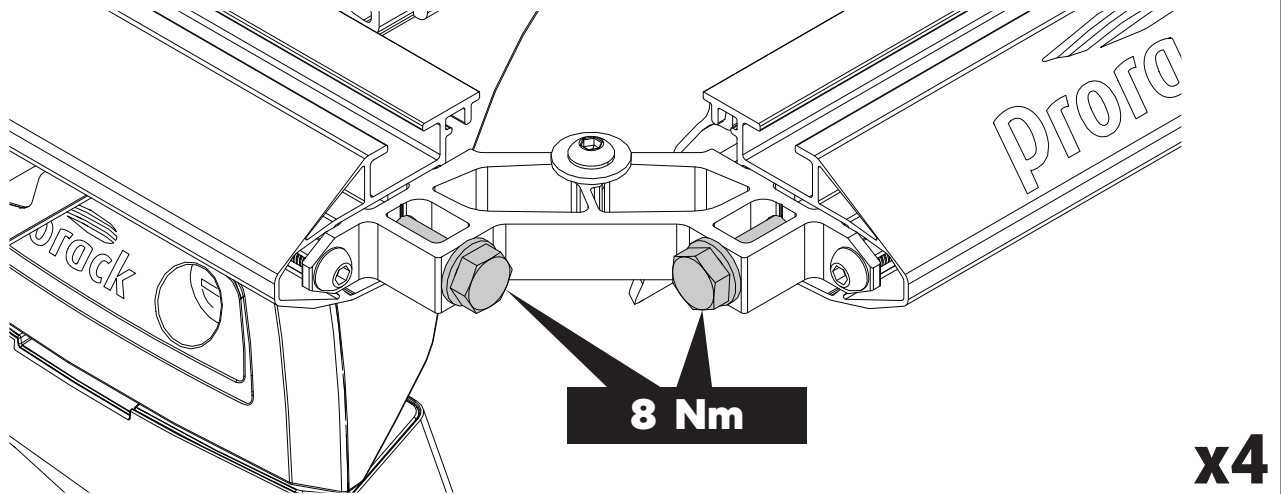
6 TIGHTEN CORNER BRACKET SCREWS

Tighten all the Button Head Screws on the corner bracket to a torque of 3.5 Nm



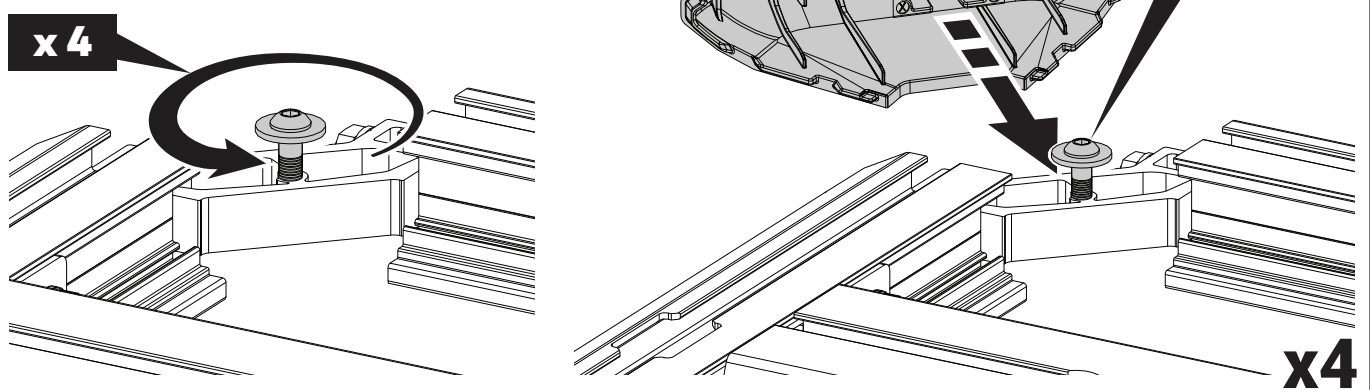
7 TIGHTEN CORNER BRACKET BOLTS

Tighten all the M8 Bolts on the corner brackets to a torque of 8 Nm.



8 INSTALL CORNER COVERS

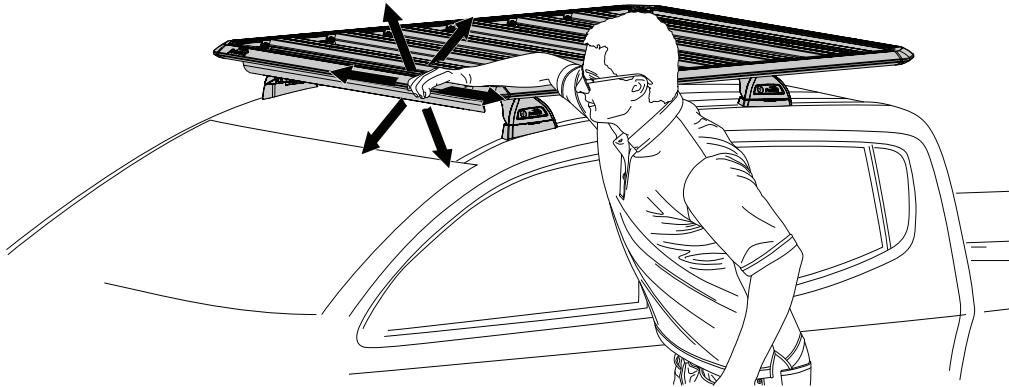
Unscrew the Corner Cover fasteners by 4 rotations to be able to slide to Corner Covers on. Install the Corner Cover and re-tighten the Corner Cover fasteners to a torque of 3.5 Nm.



9

CHECK FITMENT

Make a final check to ensure that the Aero Deck is firmly secured to the vehicle.



Maintenance

- Check accessory is securely attached whenever you refit it to the vehicle. If the unit feels loose, refer to the fitting instructions and readjust.
- Regularly check all fasteners. This includes all attached accessories and roof racks.
- Clean with hot soapy water and sponge as required.

Caution

- Ensure all items are securely attached.
- Ensure that all loads are distributed evenly and are fastened securely.
- A loaded roof rack system can alter the performance of your vehicle. Be especially aware of the effects of side winds, changing of direction, and braking performance. Avoid rapid acceleration and deceleration. Drive Carefully.
- Make sure all loads are securely fastened with non-elastic Straps. Check regularly during longer journeys.
- Never drive into a car wash with the roof rack system or accessories fitted.
- Do not exceed the vehicle manufacturer's roof load rating. Total load equals weight of Aero Deck Direct Mount Kit + Aero Deck + accessories + cargo/equipment.
- Nylock nuts lose their effectiveness and may come loose when reused multiple times. Replacing nyloc fasteners is recommended when removed.
- Only use the supplied components to assemble the system.



Prorack
17 Hinkler Court, Brendale
QLD 4500, Australia

Freephone
AU: 1800 143 548
NZ: 0800 4776 722

www.prorack.com.au
www.prorack.co.nz